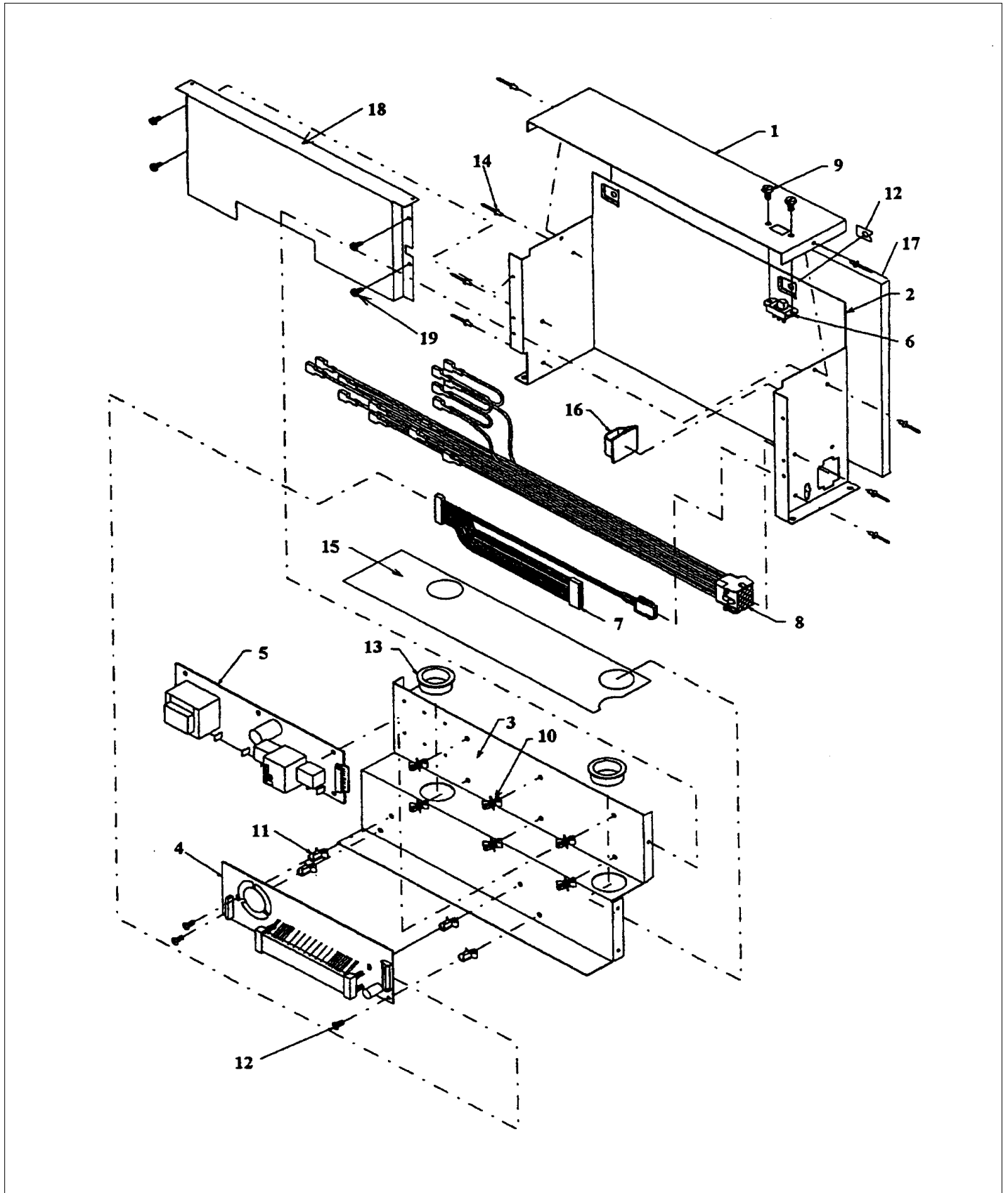


VCSB483GSERIES

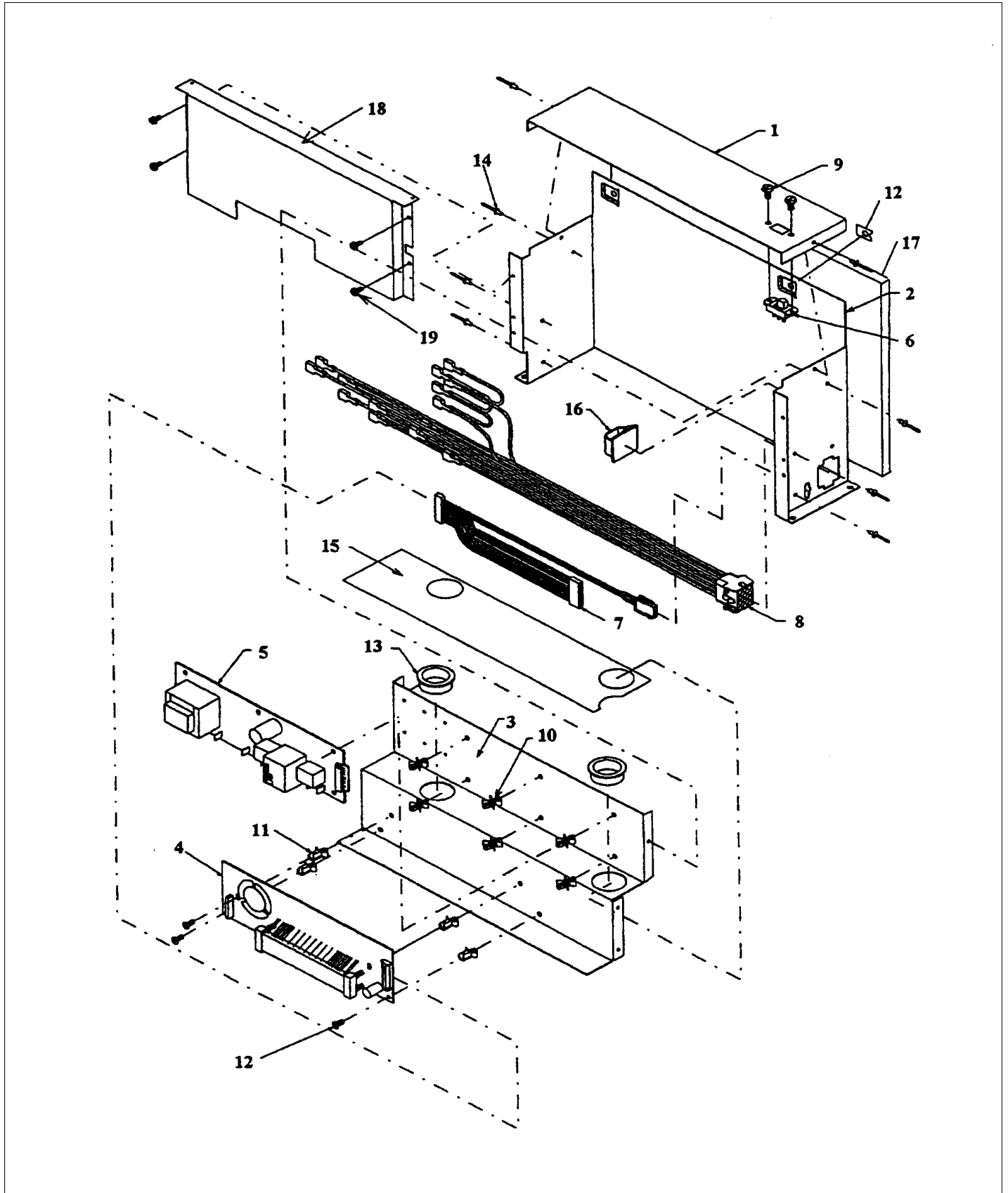
CONTROL ASSY	1
DOOR ASSY	2
DOOR SKIN MATRIX	3
DOOR SKINS	4
EVAP AREA ASSY	5
FLOW CHART DEFROST	6
FLOW CHART NO COMPRESSOR	7
LADDERS	8
LOWER HINGES	9
ROLLERS	10
SHELVING	11
TOP HINGES	12
UPPER GRILLE	13
Appendix A:Pages Index	A
Appendix B:Parts Index	B

CONTROL ASSY





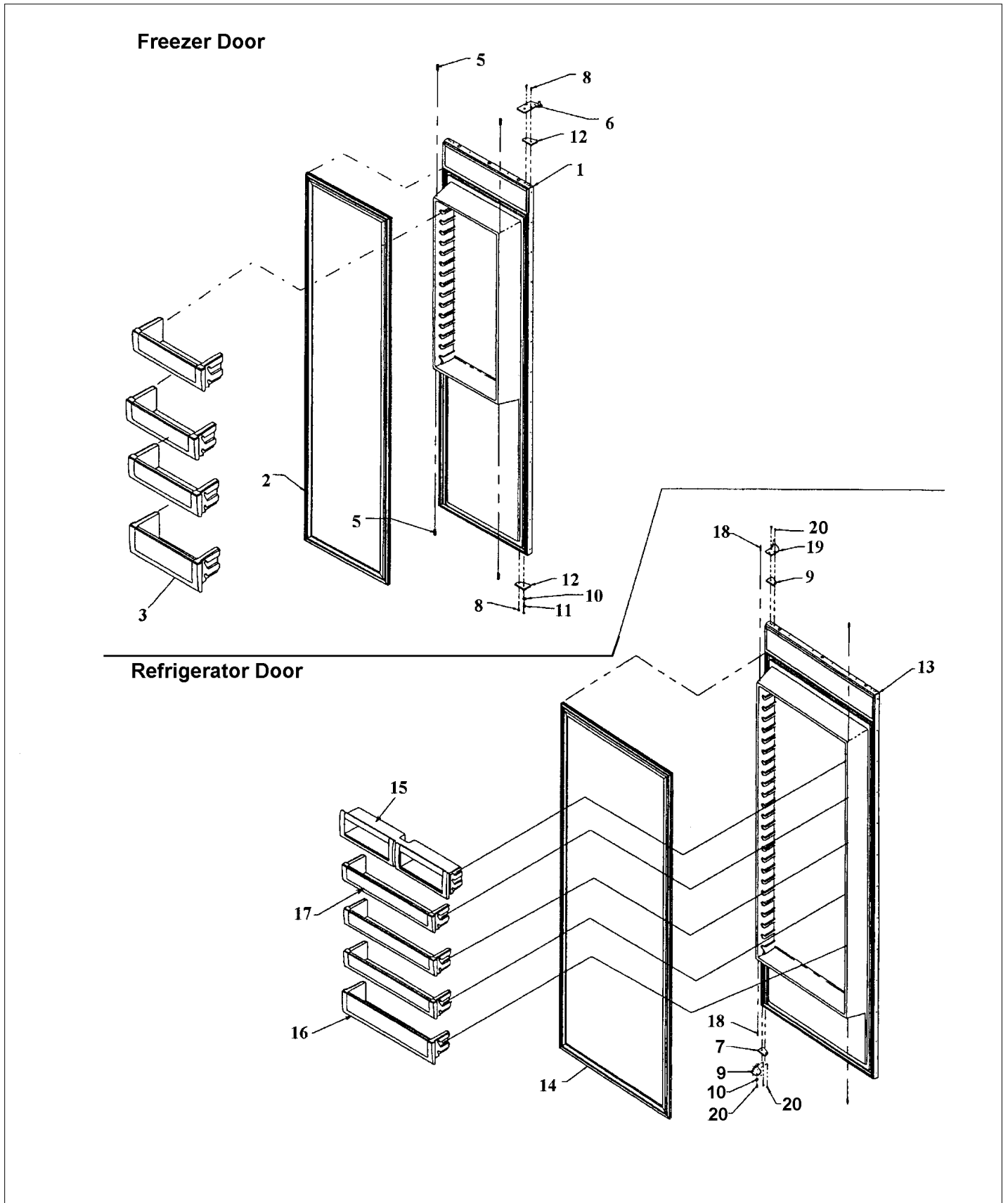
Item	Part No.	Name	Qty	Uom	NOTES
1	K2096429	SUB TO K2098657 - TOP-CONT BOX 12090801		EA	NO LONGER AVAILABLE
2	K2097709	BOX CONTROL		EA	NO LONGER AVAILABLE
3	K2096430	BRKT-PC 12090901		EA	NO LONGER AVAILABLE
4	002670-000	LOW VOLTAGE BOARD KIT W/HARNESS		EA	
Comments for Part Num. 002670-000 boltz on Apr 12, 2018 See TR-0022-SP Bulletin					
Not Shown	NOTE	BEFORE 01/22/05		EA	
Not Shown	PE070728	BOARD LOW VOLTAGE		EA	
Comments for Part Num. PE070728 bradleysapplianceservice@shaw.ca on Apr 27, 2016 COULD ALSO USE: 002670-000 LOW VOLTAGE BOARD KIT ANALOG - INCLUDES WIRE HARNESS					
Not Shown	NOTE	ON OR AFTER 01/22/05		EA	
5	005319-000	POWER CONTROL BOARD ASM 5 SERIES		EA	
Comments for Part Num. 005319-000 boltz on Apr 12, 2018 See TR-0056-SP Bulletin					
6	10544502	SWITCH-SLIDE GRN		EA	
7	PE970464	HARNESS LOW VOLT 5 SERIES		EA	
Not Shown	NOTE	(For Kit LV Board Only)		EA	
8	PE970609	HARNESS CONTROL BOARD 5 SERIES		EA	
Not Shown	NOTE	(For PE970363 Only)		EA	
9	M0223816	SCREW-TR		EA	NO LONGER AVAILABLE
10	M0585504	SUPPORT		EA	





Item	Part No.	Name	Qty	Uom	NOTES
11	M0585506	SUPPORT		EA	
12	PD020013	TYPE "AB" #6 X 3/8 PH PAN HD. SMS		EA	
13	A4554817	BUSHING-SNAP VA4554817		EA	
14	A4539601	DAMPER-TUBING .8		EA	Not available online / Call for pricing and availability
15	12117201	FILM-PROTECTIVE		EA	NO LONGER AVAILABLE, Not available online / Call for pricing and availability
16	M0104106	CLIP-CORD VM0104106		EA	
17	12074703	INSUL-CONT BOX V12074703		EA	NO LONGER AVAILABLE, Not available online / Call for pricing and availability
18	K2096431	FRONT-CONT PANEL 12091001		EA	
19	M0238616	SCREW, SMALL		EA	
20	M0288120	NUT-SPEED VM0288120		EA	

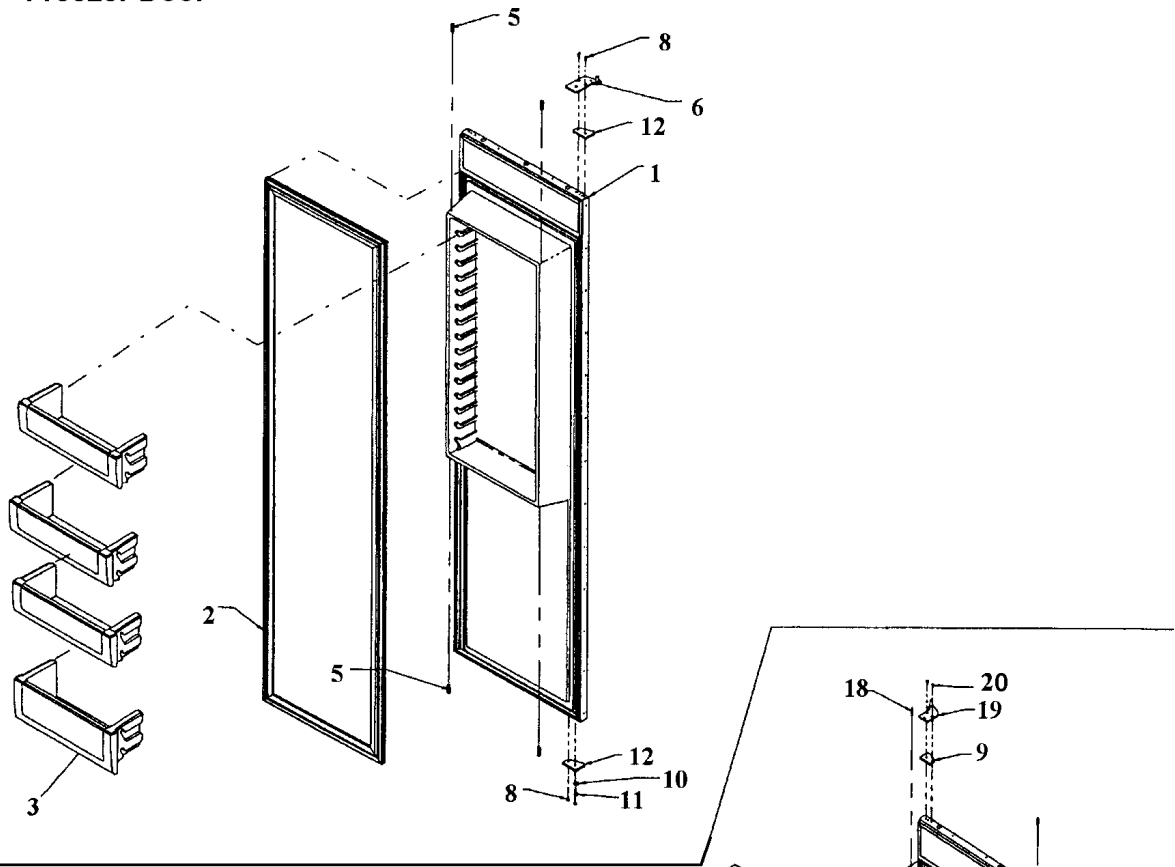
DOOR ASSY



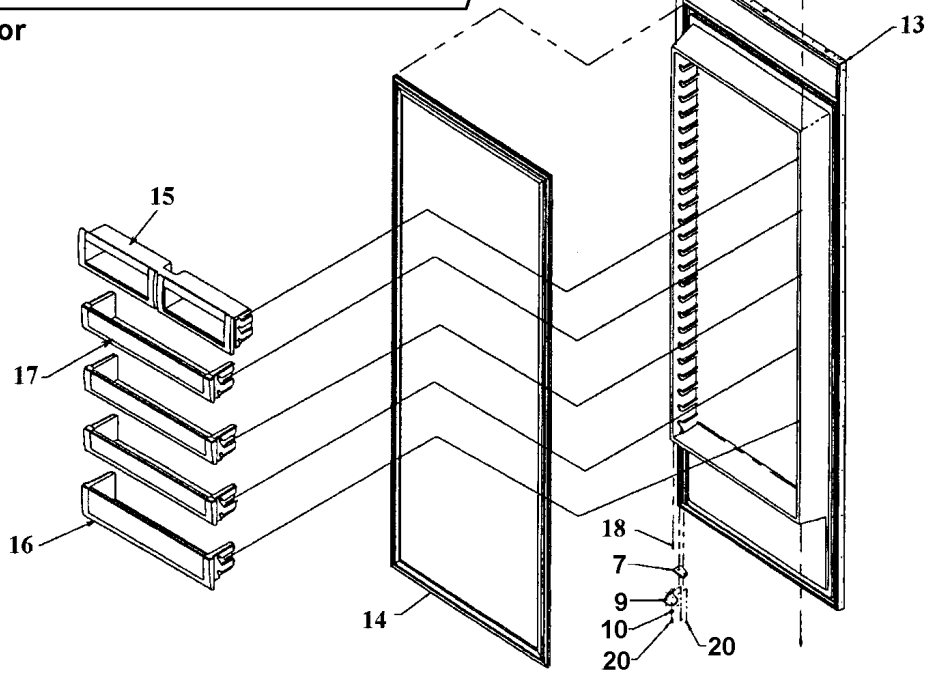


Item	Part No.	Name	Qty	Uom	NOTES
1	G5097700	DOOR FOAM ASM SXS 48 FZ		EA	
2	PB070294	DOOR GASKET, 48 SXS FZ SIDE CHARGE		EA	
3	PK930072	SHELF DOOR ASM SXS 48 FZ		EA	
4	M6096628	SPCR HINGE REP V12530201/V12493901		EA	
5	12128001	PLUG-INNER DOOR		EA	
6	PC920056	SUB TO G50911810 - PIVOT PL ASSY LH UP REP V12043408		EA	NO LONGER AVAILABLE
7	M0202528	SCREW-MACH #		EA	
8	M0226233	SUB TO PD920174 - 10 X 7/8 PHILLIPS SMA TRI LOBE SA		EA	
9	PC020231	CAM DOOR CLOSURE TOP WHITE		EA	
10	M0272803	WASHER-LOCK		EA	
11	M0202528	SCREW-MACH #		EA	
12	M6096628	SPCR HINGE REP V12530201/V12493901		EA	
13	G5097702	DOOR FOAM ASM SXS 48 FF - NLA		EA	
14	PB070296	DOOR GASKET, 48 SXS FF SIDE CHARGE		EA	
15	V12203602	DAIRY MODULE ASSY #		EA	
16	036886-000	DOORBIN ASM SXS 48 FF		EA	
17	G5099989	48" FF METAL SHELF KIT		EA	
18	12128001	PLUG-INNER DOOR		EA	
19	PC920054	RIGHT UP PIVOT PLT ASSY		EA	Not available online / Call for pricing and availability
20	M0226233	SUB TO PD920174 - 10 X 7/8 PHILLIPS SMA TRI LOBE SA		EA	
#	G5097702	DOOR FOAM ASM SXS 48 FF - NLA		EA	
#	G5097700	DOOR FOAM ASM SXS 48 FZ		EA	
#	12493705	SUB TO PE940176 - TRIM-SXS DR		EA	NO LONGER AVAILABLE, Not available online / Call for pricing and availability

Freezer Door



Refrigerator Door





Item	Part No.	Name	Qty	Uom	NOTES
#	12493706	TRIM, REF. DOOR		EA	Not available online / Call for pricing and availability
#	12493707	SUB TO PK930008 - TRIM-SXS FZ DR		EA	NO LONGER AVAILABLE
#	014581-000	SPACER, TRIM, SXS, AF, AR		EA	
#	M0210458	SCREW-SM		EA	

DOOR SKIN MATRIX

REFRIGERATOR/FREEZER DOOR SKIN MATRIX						
Model	*FRZ Door Viking Part Number	Handle Location	Hinge Version	*REF Door Viking Part Number	Handle Location	Hinge Version
VCSB423-Professional 42" SxS	B/L2099428 and C9099428	See Figure 1-Previous	Cobra	B/L2099427 and C9099427	See Figure 1-Previous	Cobra
VCSB423-Professional 42" SxS	B/L2099994 and C9099994	See Figure 2-Current	Cobra	B/L2099993 and C9099993	See Figure 2-Current	Cobra
VCSB423D-Professional 42" SxS Dispenser	B/L2099009 and C9099009	See Figure 1-Previous	Cobra	B/L2099427 and C9099427	See Figure 1-Previous	Cobra
VCSB423D-Professional 42" SxS Dispenser	B/L20911393 and C20911393	See Figure 2-Current	Cobra	B/L2099993 and C9099993	See Figure 2-Current	Cobra
VCSB482-Professional 48" SxS	B/L2096939 and C9096939	See Figure 1-Previous	Extrusion/Plate	B/L2096940 and C9096940	See Figure 1-Previous	Extrusion/Plate
VCSB483-Professional 48" SxS	B/L2096939 and C9096939	See Figure 1-Previous	Extrusion/Plate	B/L2096940 and C9096940	See Figure 1-Previous	Extrusion/Plate
VCSB483-Professional 48" SXS (G-series)	B/L20913724 and C90913724	See Figure 2-Previous	Cobra	B/L20913723 and C90913723	See Figure 2-Previous	Cobra
VCSB483-Professional 48" SXS (H-series)	B/L20910040 and C90910040	See Figure 2-Current	Cobra	B/L20910039 and C90910039	See Figure 2-Current	Cobra
VCSB483D-Professional 48" SxS Dispenser	B/L2098301 and C9098301	See Figure 1-Previous	Extrusion/Plate	B/L2096940 and C9096940	See Figure 1-Previous	Extrusion/Plate
VCSB483D-Professional 48" SxS Dispenser	B/L2099992 and C9099992	See Figure 2-Current	Extrusion/Plate	B/L2099991 and C9099991	See Figure 2-Current	Extrusion/Plate
VCSB483D-Professional 48" SXS Dispenser (H-series)	B/L20913006 and C90913006	See Figure 2-Current	Cobra	B/L20910039 and C90910039	See Figure 2-Current	Cobra
	*LEFT Door Viking Part Number	Handle Location	Hinge Version	*RIGHT Door Viking Part Number	Handle Location	Hinge Version
VCFB364-Professional 36" All Freezer	**B/L2098381 and C9098381	See Figure 2-Current	Cobra	**B/L2098383 and C9098383	See Figure 2-Current	Cobra
VCRB364-Professional 36" All Refrigerator						
VCFB304-Professional 30" All Freezer	**B/L2099067 and C9099067	See Figure 2-Current	Cobra	**B/L2099069 and C9099069	See Figure 2-Current	Cobra
VCRB304-Professional 30" All Refrigerator						

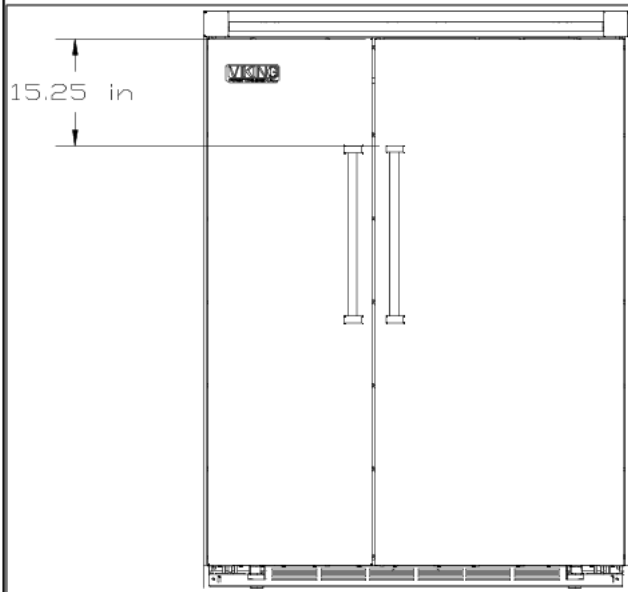


FIGURE 1-PREVIOUS HANDLE LOCATION DIMENSION

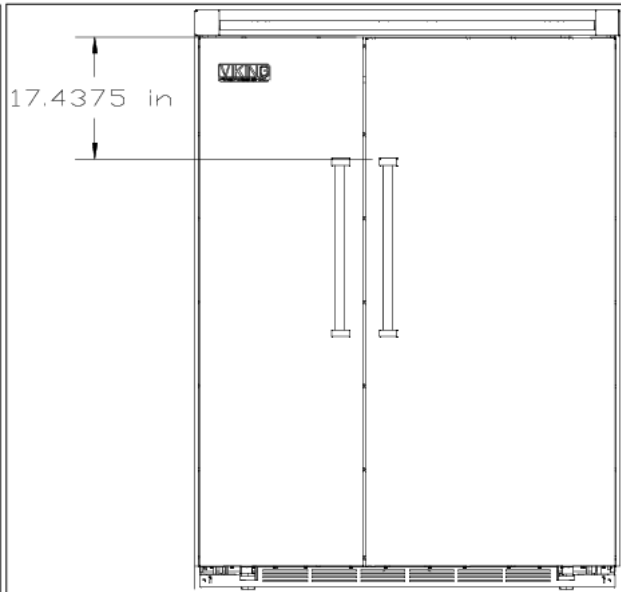


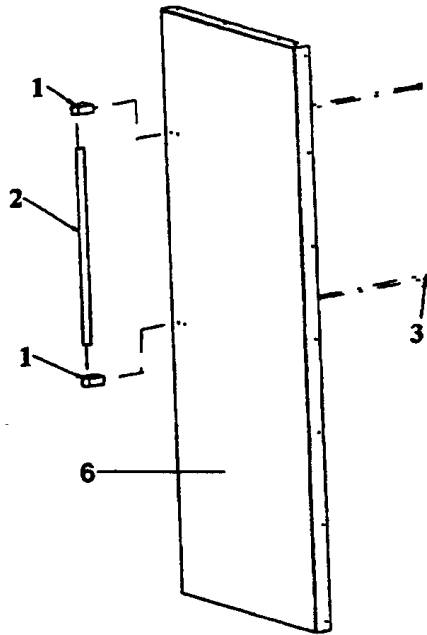
FIGURE 2-CURRENT HANDLE LOCATION DIMENSION

NOTES:

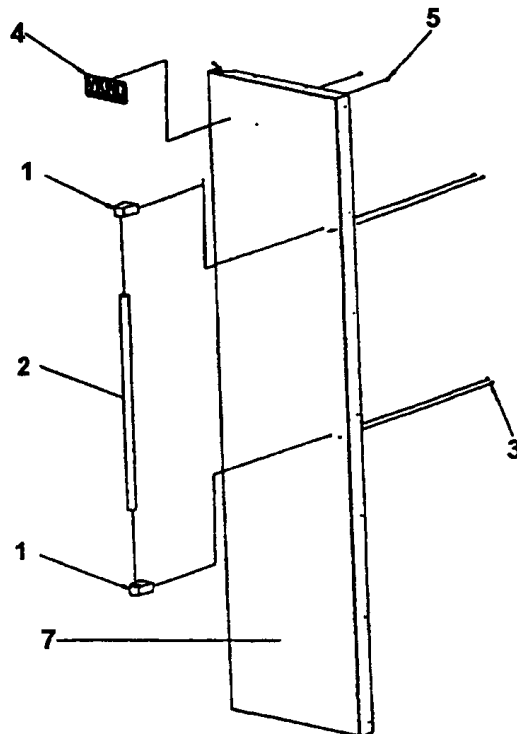
- * B = Stainless Steel, C = Painted, all colors except WH and BK, L = Prepainted WH and BK
- * Color code must be added for all parts except "B/Stainless Steel"

DOOR SKINS

Refrigerator Skin



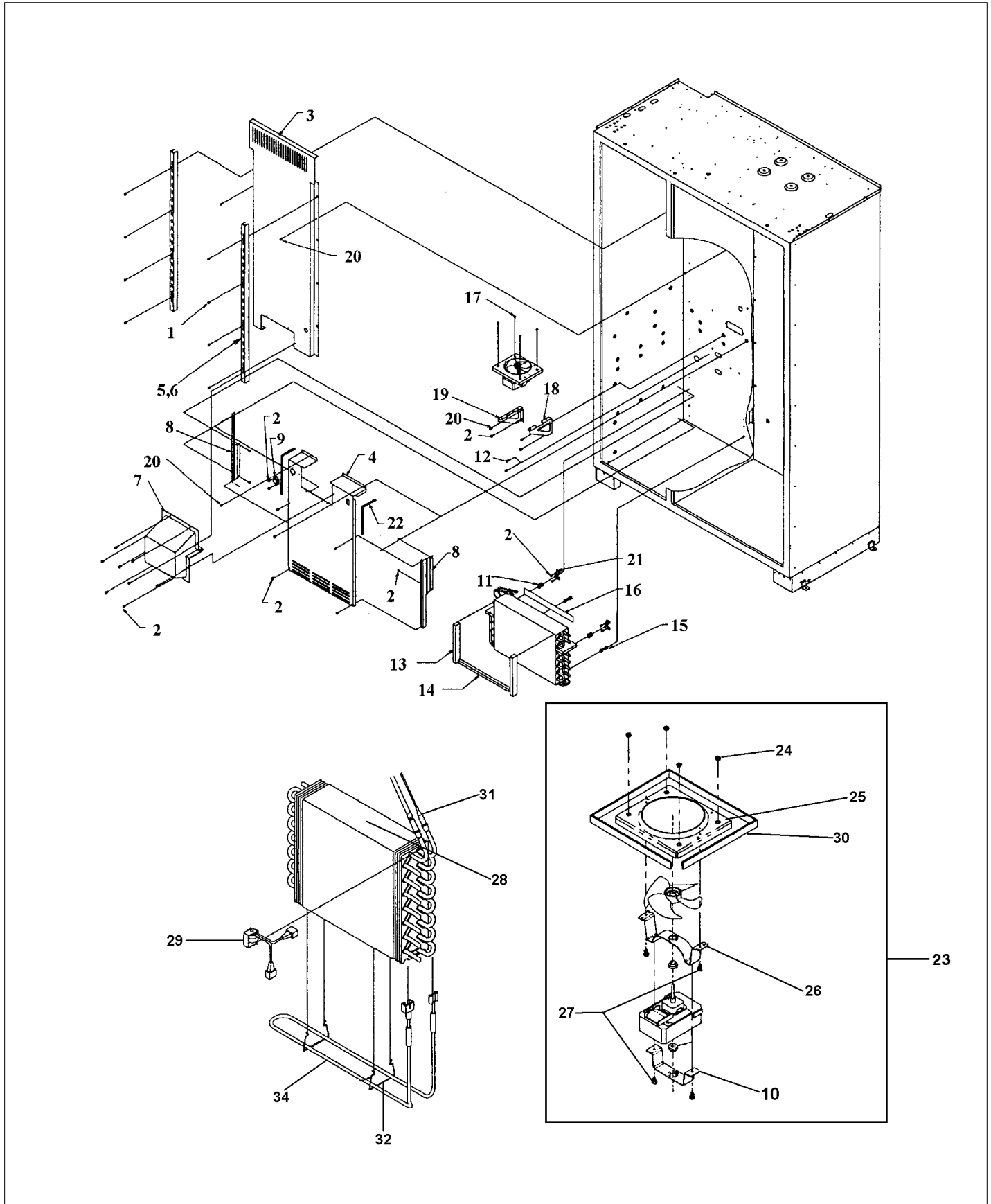
Freezer Skin





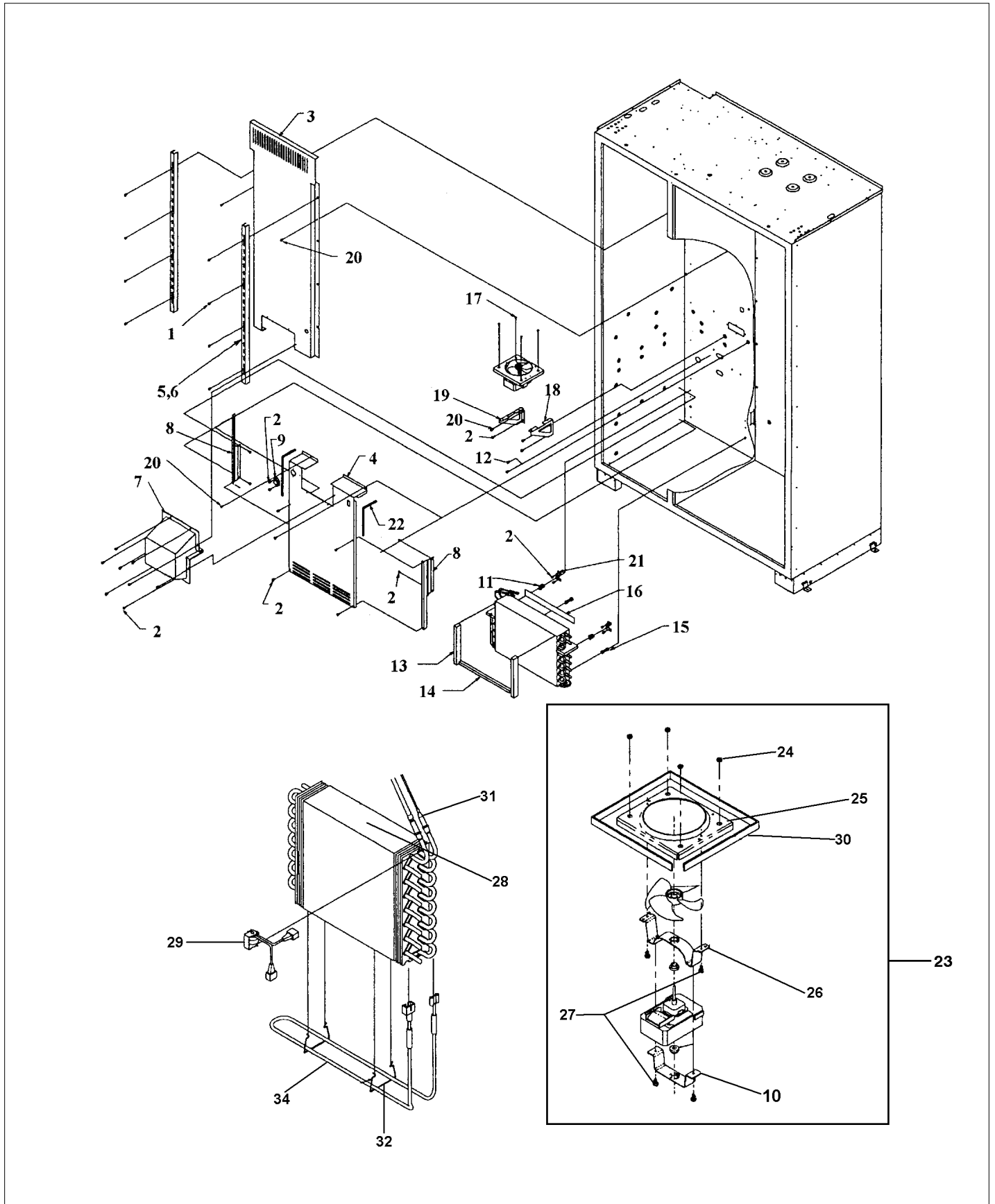
Item	Part No.	Name	Qty	Uom	NOTES
PE03000 1	000268-000	HANDLE ENDCAP	1	EA	
Not Shown	PE030001PVD	END CAP DOOR HANDLE *BR	1	EA	
Not Shown	PE930101	VCSB482 HANDLE -(12466403)	1	EA	
Not Shown	PE030044PVD	CNPY HDLE 41/53 PVD F0005408	1	EA	NO LONGER AVAILABLE
Not Shown	M0204303	SCREW-MACH	1	EA	
Not Shown	PE010030	LOGO	1	EA	
Not Shown	PE010068	LOGO 6" (VGRC) BK/BR	1	EA	
Not Shown	PE010031	LOGO 6" (VGRC) *BK/WH*	1	EA	NO LONGER AVAILABLE
Not Shown	PE010076	LOGO 6" (VGRC) *BR/WH*	1	EA	NO LONGER AVAILABLE
M011890 5	PD030006	CAPPED WASHER PAL NUT	1	EA	
Not Shown	SEE MATRIX		1	EA	
Not Shown	SEE MATRIX		1	EA	
Not Shown	10921223	Foam Block EPS - Frz. Door	1	EA	Not available online / Call for pricing and availability
Not Shown	10921224	STYROFOAM BLOCK, REF. DOOR (QTY. 2)	1	EA	Not available online / Call for pricing and availability

EVAP AREA ASSY





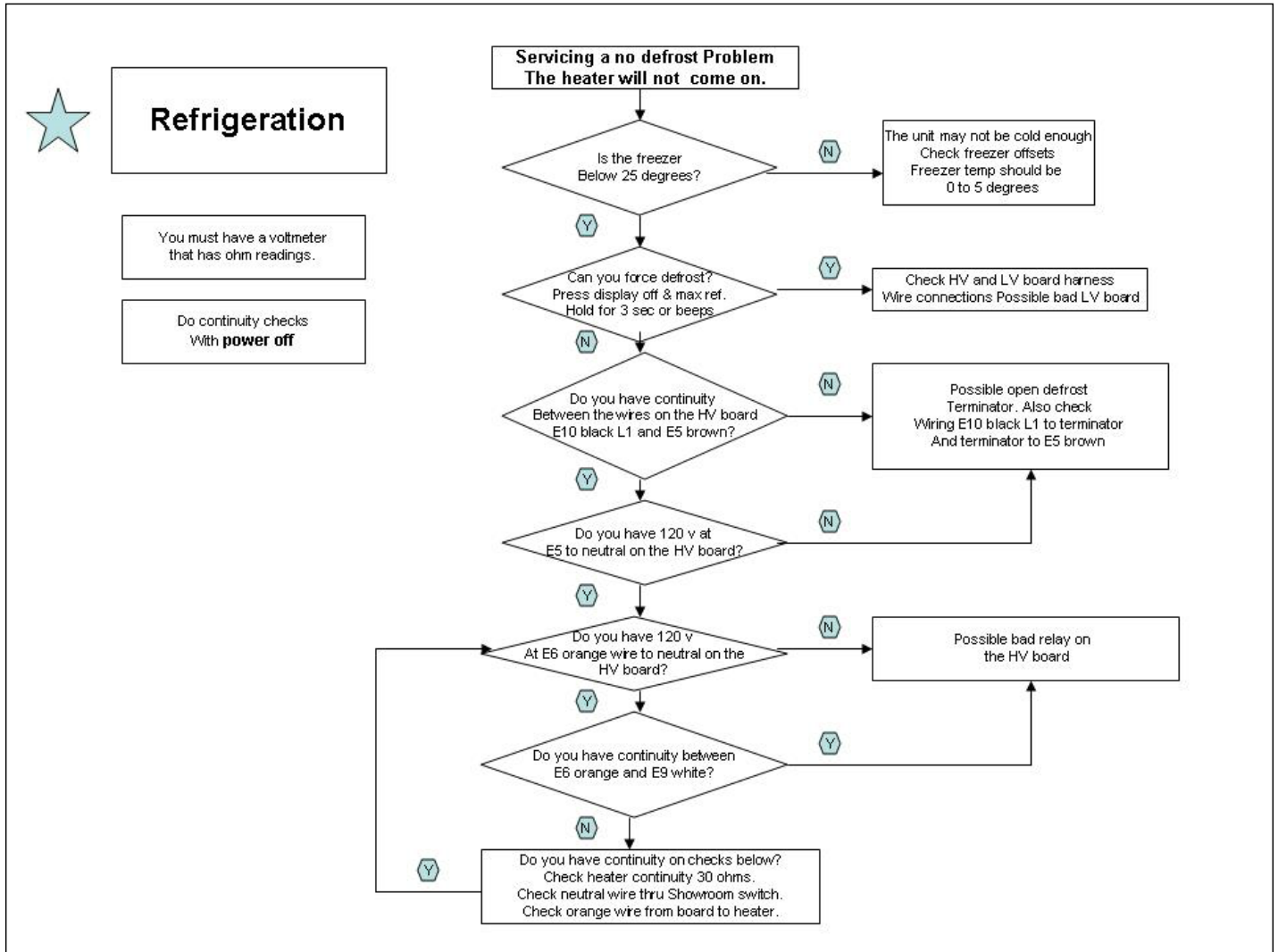
Item	Part No.	Name	Qty	Uom	NOTES
1	M0232903	SCREW-SE	1	EA	NO LONGER AVAILABLE
2	M0238616	SCREW, SMALL	1	EA	
3	L2097181	COVER EVAP UPPER SXS 48	1	EA	
4	L2097182	COVER EVAP LOWER SXS 48	1	EA	
5	12231701	LADDER-FZ L/R SIDE 42/48	1	EA	
6	12233801	GASKET-FZ LADDER	1	EA	NO LONGER AVAILABLE, Not available online / Call for pricing and availability
7	PK930150	COVER CTR EVAP SXS	1	EA	
8	K2096461	BRKT-EVAP COVER 12234801	1	EA	
9	C8983701	THERMISTOR	1	EA	
10	L2196411	BRACKET, EVAPORATOR FAN	1	EA	Not available online / Call for pricing and availability
11	10623003	CLIP-EVAP	1	EA	
12	M0232903	SCREW-SE	1	EA	NO LONGER AVAILABLE
13	A3030361	GASKET RED	1	EA	
14	A3030303	GASKET	1	EA	
15	10527401	CLIP-EVAP	1	EA	
16	A3189370	GASKET-FOAM VA3189370	1	EA	
17	M0238859	SCREW-SHLDR	1	EA	
18	K2096457	BRKT-R-EVAP FAN 12223101	1	EA	
19	K2096458	BRKT-L-EVAP-FAN 12223102	1	EA	
20	M0232929	SCREW-SE	1	EA	
21	K2096456	BRKT-EVAP CLIP 12215101	1	EA	
22	A3189368	GASKET-FOAM VA3189368	1	EA	
23	G5098660	FAN EVAP ASM PANASONIC	1	EA	
24	V12234001	GROMMET, VIBRATION	1	EA	Not available online / Call for pricing and availability
25	PM910169	SHROUD EVAP FAN	1	EA	



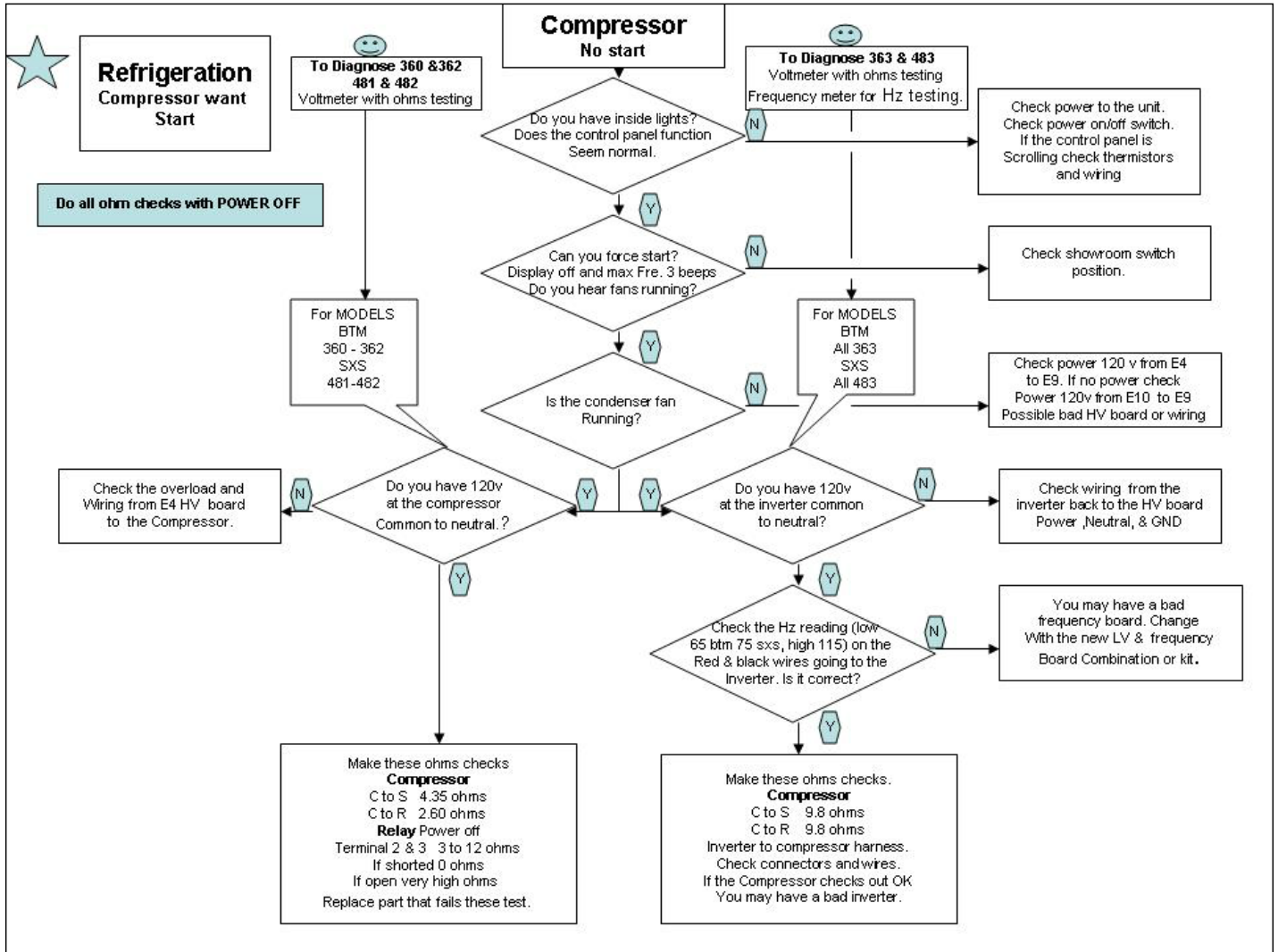


Item	Part No.	Name	Qty	Uom	NOTES
26	K2196412	BRKT-MTR/SHROUD 10771801	1	EA	NO LONGER AVAILABLE, Not available online / Call for pricing and availability
27	M0224416	SCREW-SM	1	EA	
28	PM910206	EVAPORATOR SXS 48	1	EA	
29	058966-000	THERMOSTAT, SNAP ACTION, 55 OPEN 20 CLOSE	1	EA	
30	A3030302	GASKET GRN SL	1	EA	
31	PB920155	HEAT EXCHANGER ASM SXS 48	1	EA	
32	10428101	CLIP-EVAP HTR V10428101	1	EA	
33	A1017202	GROMMET-FAN VA1017202	1	EA	
34	PJ910031	HEATER EVAP SXS	1	EA	

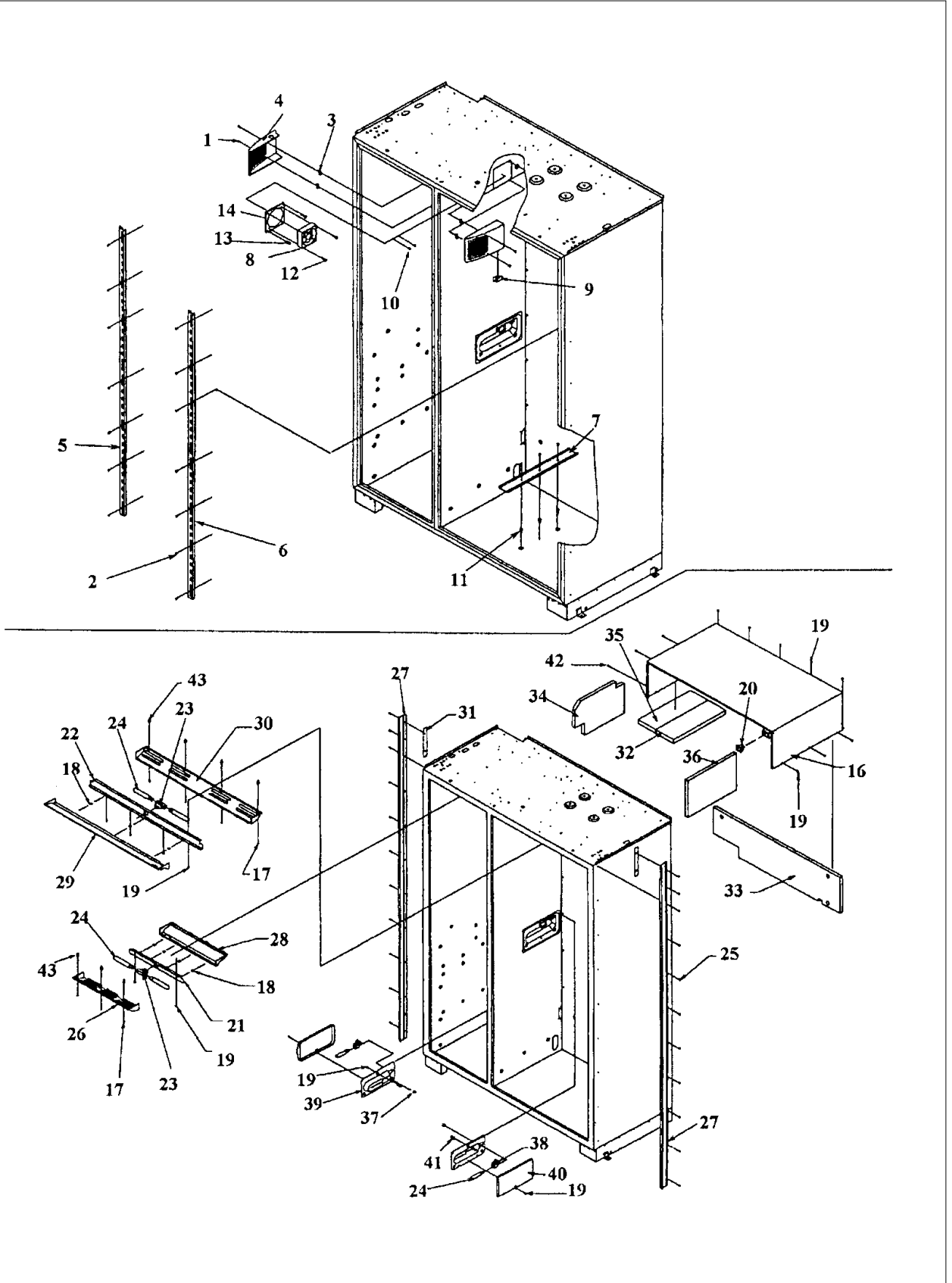
FLOW CHART DEFROST



FLOW CHART NO COMPRESSOR

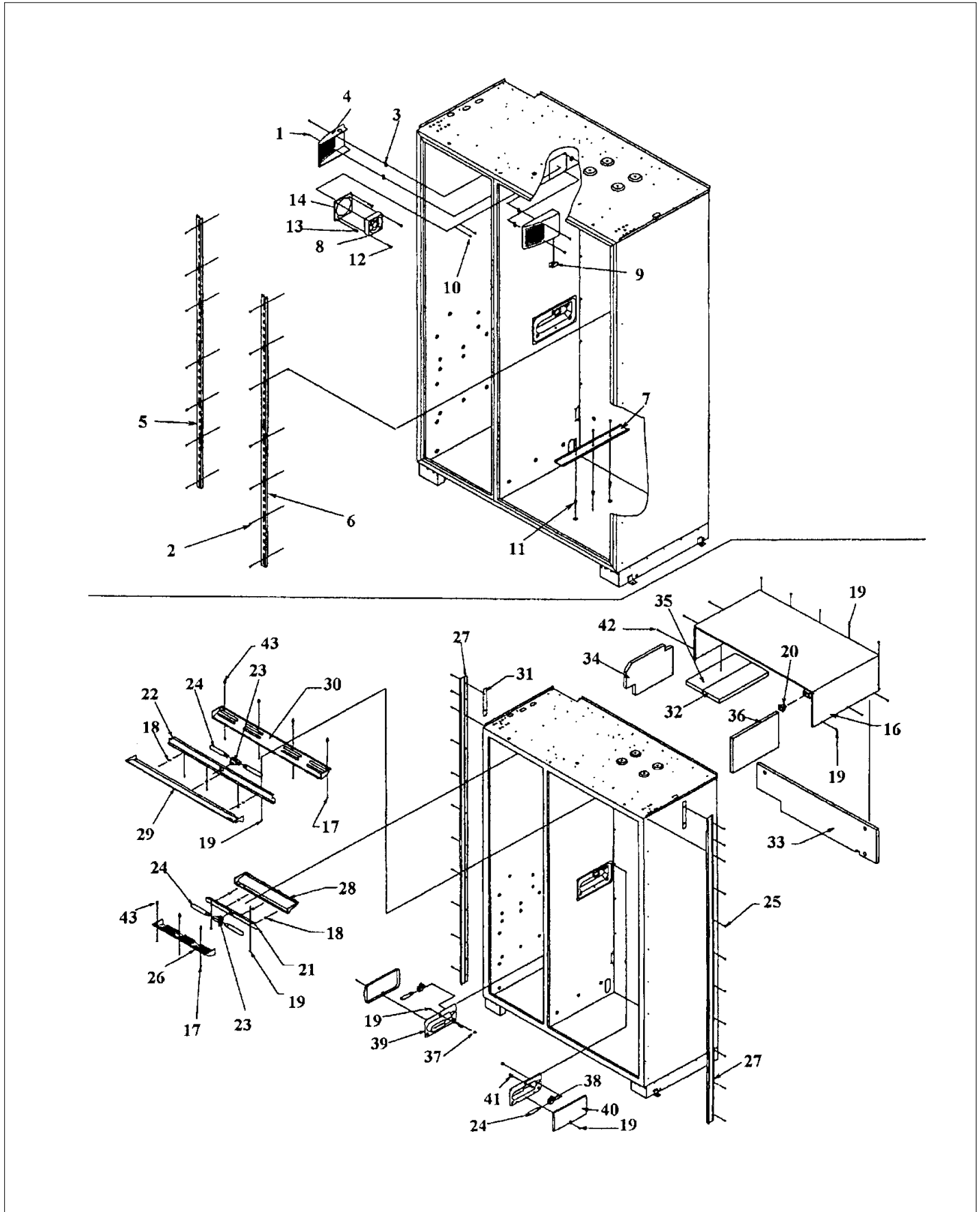


LADDERS



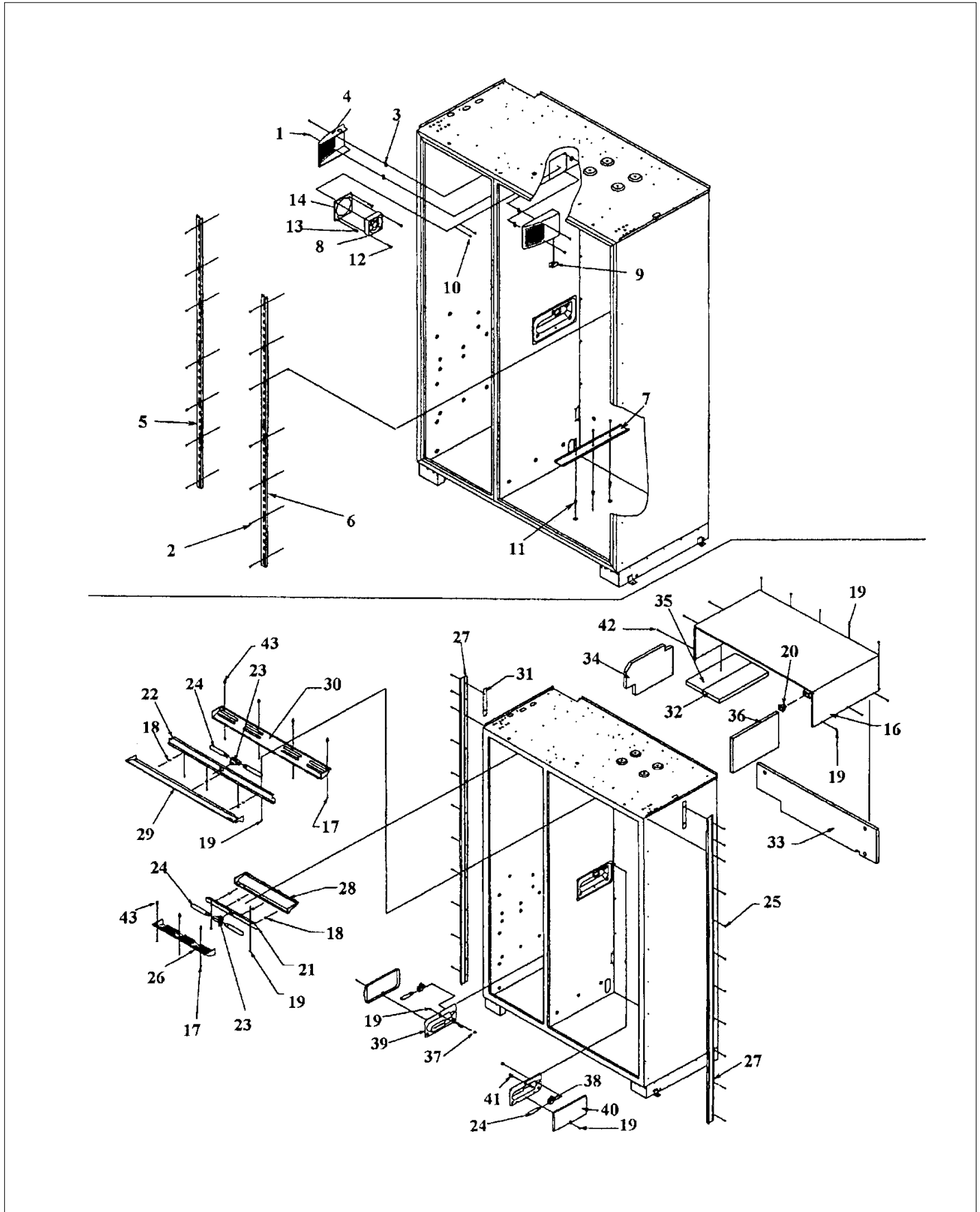


Item	Part No.	Name	Qty	Uom	NOTES
1	M0221913	SCREW-SM	1	EA	
2	M0238535	SCREW-SM	1	EA	
3	M0288120	NUT-SPEED VM0288120	1	EA	
4	PK930085	COVER FAN SXS 48 FF	1	EA	
Not Shown	PK930086	COVER FAN SXS 48 FZ	1	EA	
5	PK920023	LADDER FF L	1	EA	NO LONGER AVAILABLE, Not available online / Call for pricing and availability
6	PK920024	LADDER FF R	1	EA	
7	12118901	TRACK-DELI DRAWER	1	EA	
8	004551-000	AXIAL FAN	1	EA	
<p>Comments for Part Num. 004551-000</p> <p>gboltz@VikingRange.com on Jul 21, 2016</p> <p>View service bulletin TR-0052-SP before ordering fan, if applicable order kit instead of fan</p>					
9	C8983701	THERMISTOR	1	EA	
10	M0232903	SCREW-SE	1	EA	NO LONGER AVAILABLE
11	M0581001	GROMMET-SCREW VM0581001	1	EA	
12	M0218136	SCREW-SM	1	EA	NO LONGER AVAILABLE, Not available online / Call for pricing and availability
13	M0218137	SCREW-SM	1	EA	
14	K2096475	FAN MOUNTING PLATE	1	EA	
15	12102501	RET-HARNESS	1	EA	
Not Shown	M0321202	TIE-ELEC	1	EA	
16	G3096496	MC COVER WELD 12213401	1	EA	NO LONGER AVAILABLE
17	M0238846	SCREW-SHLDR	1	EA	
18	M0108201	CLIP-S	1	EA	NO LONGER AVAILABLE
19	M0238616	SCREW, SMALL	1	EA	
20	PE950149	SWITCH POWER	1	EA	





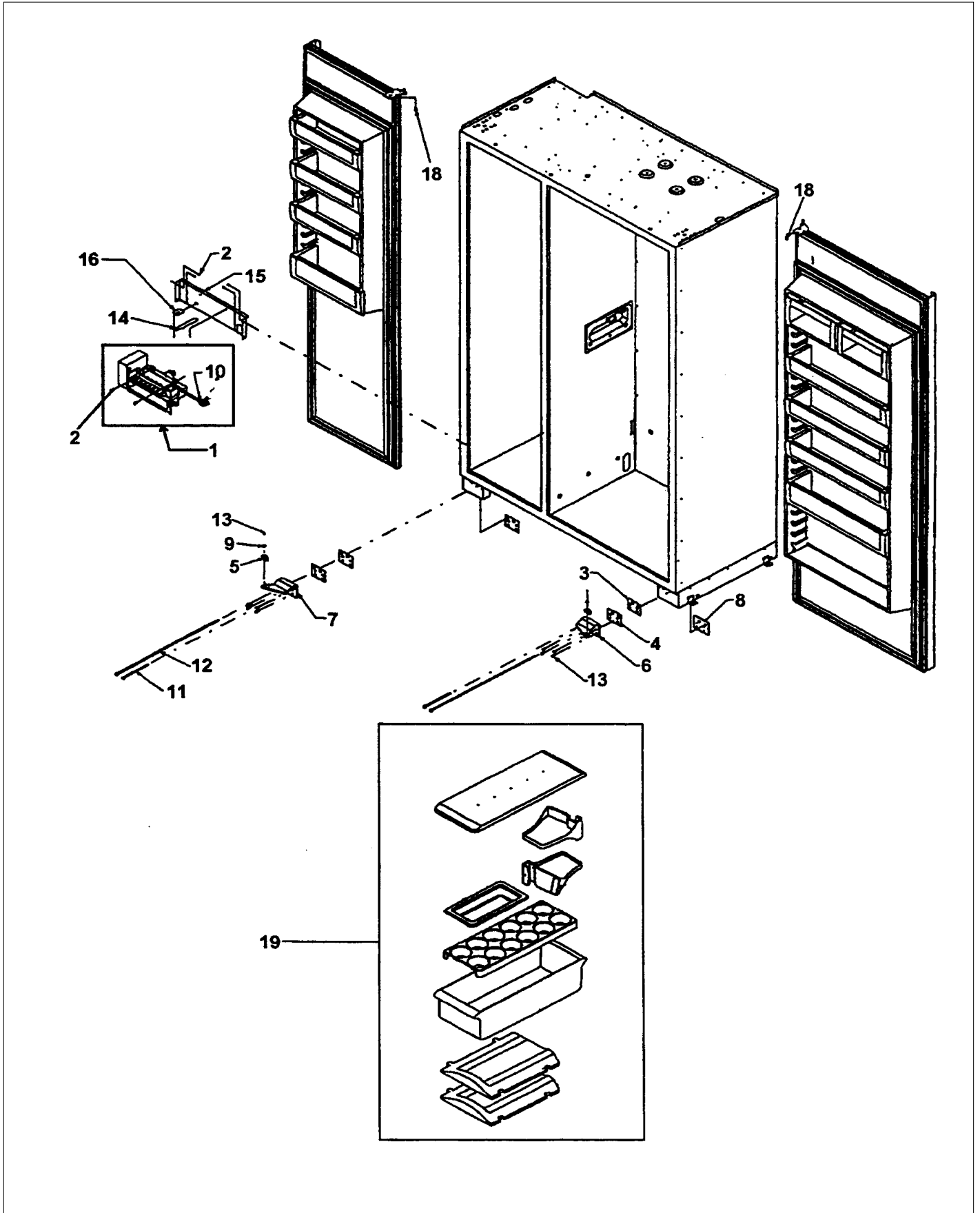
Item	Part No.	Name	Qty	Uom	NOTES
21	L2098313	BRACKET, LT, 36 BTM, FZ	1	EA	
22	L2098309	BRKT REF LIGHT	1	EA	NO LONGER AVAILABLE, Not available online / Call for pricing and availability
23	PE950125	LIGHT SOCKET	1	EA	
24	004528-000	LAMP, 40 WATT CLEAR LIGHT	1	EA	
25	M0220417	SCREW-TC	1	EA	
26	PK930077	LENS LIGHT SXS 48 FZ	1	EA	NO LONGER AVAILABLE
27	B2096406	RETAINER, CABINET - SS	1	EA	
Not Shown	C2096406	SUB TO C9396406BR	1	EA	NO LONGER AVAILABLE, Not available online / Call for pricing and availability
28	PK930078	COVER LIGHT SXS 48 FZ	1	EA	NO LONGER AVAILABLE
29	12184401	COVER, REFRIGERATOR LIGHT - NLA	1	EA	
30	12184501	LENS, REFRIGERATOR LIGHT	1	EA	Not available online / Call for pricing and availability
31	12135402	SHIM-CAB TRIM	1	EA	
NI	003471-000	SWITCH SNAP-ACTION BM 36	1	EA	
32	12074701	INSUL-MC CVR V12074701	1	EA	
33	12184901	INSUL-BACK MC CVR	1	EA	Not available online / Call for pricing and availability
34	12074601	INSUL-L MC CVR V12074601	1	EA	
35	12074704	INSUL-MC CVR	1	EA	
36	12074702	INSUL-R MC CVR V12074702	1	EA	
37	B5733302	CLIP-GROUND	1	EA	
38	10281601	SOCKET-SGL LIGHT	1	EA	
39	10270203	HOUSING-LIGHT V10270203	1	EA	
40	10270101	COVER, LIGHT	1	EA	
41	M0580007	GROMMET-SCREW	1	EA	





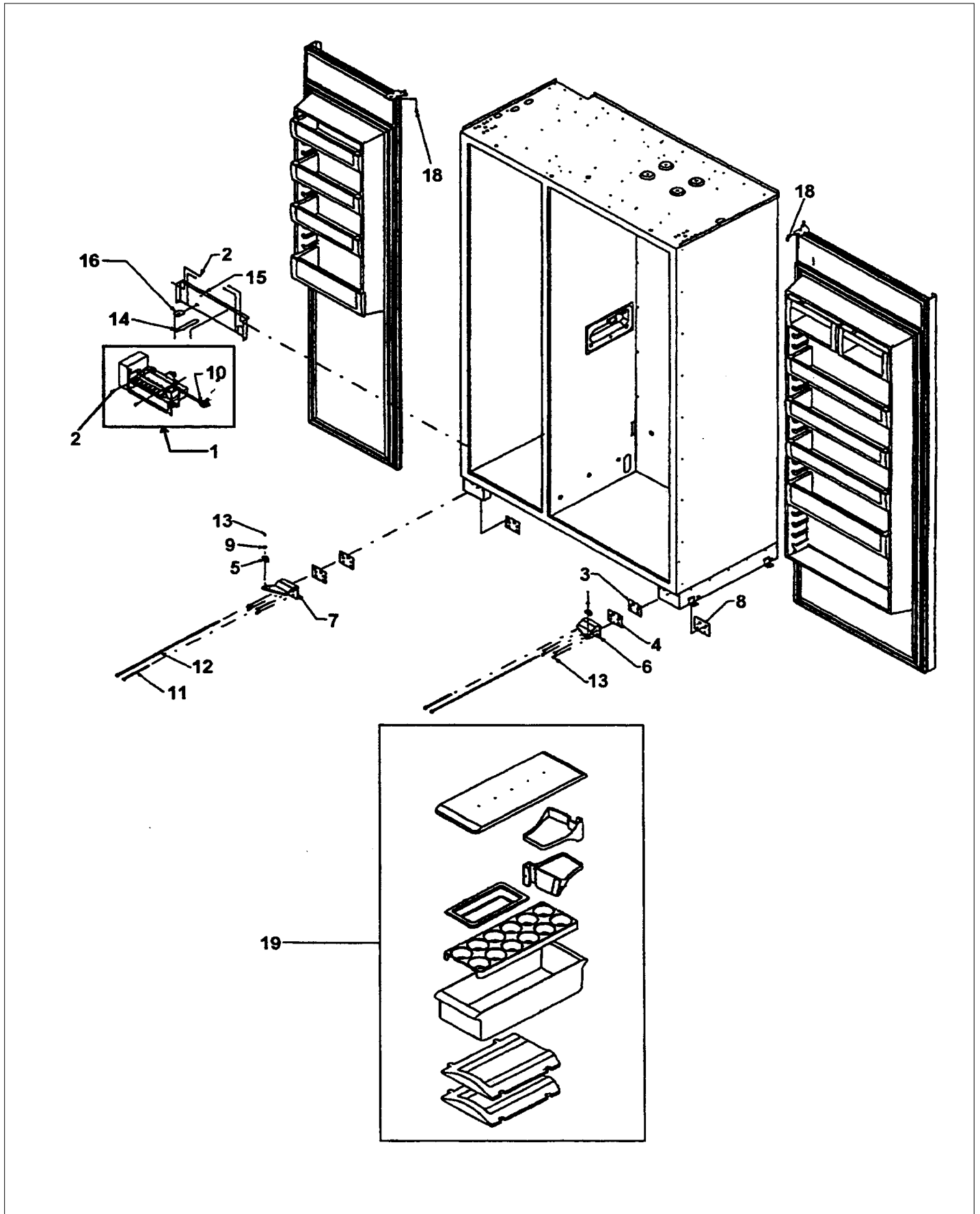
Item	Part No.	Name	Qty	Uom	NOTES
42	A4539601	DAMPER-TUBING .8	1	EA	Not available online / Call for pricing and availability
43	M0581001	GROMMET-SCREW VM0581001	1	EA	

LOWER HINGES





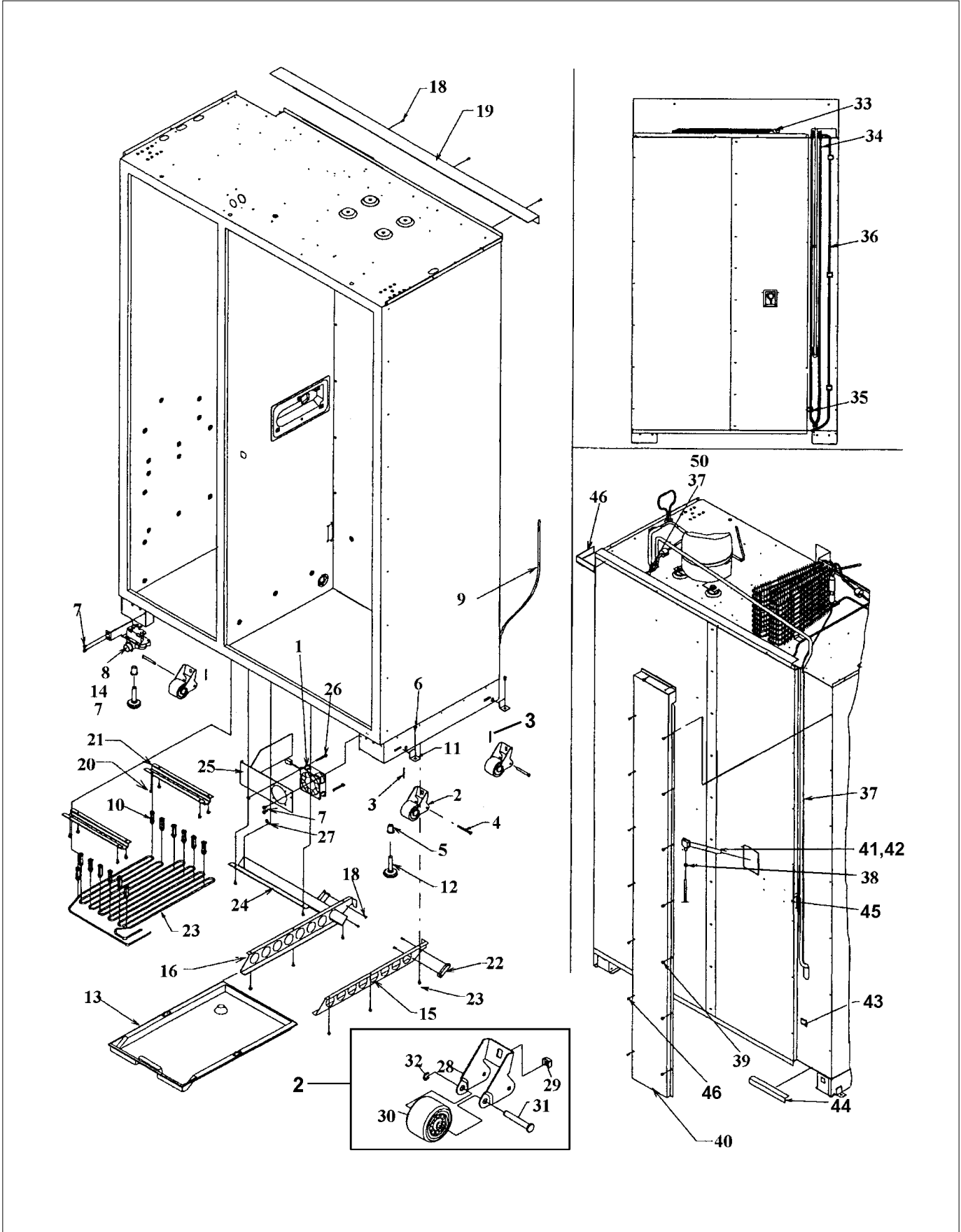
Item	Part No.	Name	Qty	Uom	NOTES
1	G50911858	ICE MAKER ASM, NLA, order components, see TR-0023C-SP	1	EA	NO LONGER AVAILABLE
<p>Comments for Part Num. G50911858</p> <p>jennifer@thetrend.com on Feb 12, 2016 It would be nice to have the ice maker in the right location. Even better if it gave the right part number.</p> <p>vharding68@verizon.net on Mar 16, 2016 Doesn't matter where it is or the part number....There has been a bulletin on these ice makers since November of 2007 (Btw...it is superseded by another bulletin that is prior to that date). Bulletin number TR-0023B-SP</p> <p>Val @ bob's, pa bradleysapplianceservice@shaw.ca on Sep 1, 2016 SERVICE BULLETIN: TR-0023B-SP SUBS TO: 002252-000 ICE MAKER MODULE 002251-000 ICE MAKER BAIL ARM 002253-000 ICE MAKER WIRE HARNESS</p> <p>platinumcares@aol.com on Dec 4, 2017 i/m assy #002252-000 wire harness 002253-000 arm # 002251-000</p> <p>you will need all three</p>					
2	M0238616	SCREW, SMALL	1	EA	
3	K2096449	SHIM-LOWER HINGE 12198501	1	EA	
4	K2096450	SHIM-LOWER HINGE 12198502	1	EA	
5	PC020231	CAM DOOR CLOSURE TOP WHITE	1	EA	
6	PC920060	LOWER HINGE ASSY - RH (S X S)	1	EA	
7	PC920061	LOWER HINGE LH VCSB482	1	EA	
8	PK900026	PLATE-BOTTOM HINGE SUPPORT SXS	1	EA	
9	M0272803	WASHER-LOCK	1	EA	
10	M0321202	TIE-ELEC	1	EA	
11	M0204339	SCREW-ADJ ROLLER VM0204339	1	EA	





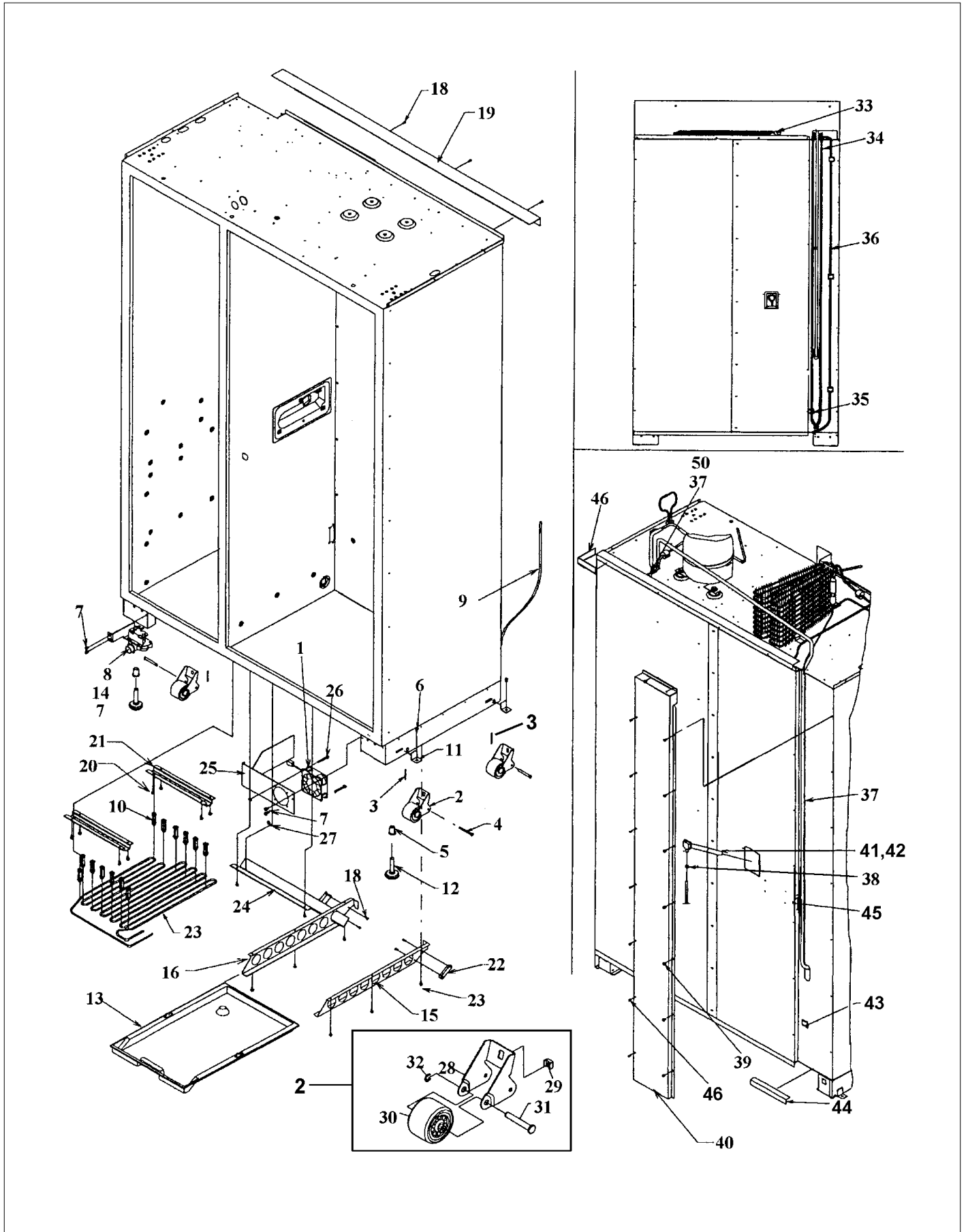
Item	Part No.	Name	Qty	Uom	NOTES
12	10093305	SCREW-ADJ ROLLER V10093305	1	EA	
13	M0202528	SCREW-MACH #	1	EA	
14	A3127415	EXT-FILL TUBE	1	EA	
15	C2097183	SUPPORT IM ND SXS 48	1	EA	
16	K2096464	BKT-ND IM 12265501	1	EA	
17	M0238734	SCREW-TF	1	EA	NO LONGER AVAILABLE
18	M0220928	SCREW, SHOULDER	1	EA	
NI	10526701	CLAMP-WIRE V10526701	1	EA	
NI	G5096513	48" TOE GRILLE PACKED ASSY	1	EA	
NI	M0270510	WASHER #	1	EA	
19	019244-000	ACCESSORY, ASM	1	EA	
NI	PC920050	HNGE TP RLW VCBB360RSS RE V12119503 (LOWER RIGHT PIVOT PLATE)	1	EA	
NI	PC920052	HINGE TAP L LW REP V12119504 (LOWER LEFT PIVOT PLATE)	1	EA	
NI	K1096533	SHIM-HINGE HALF	1	EA	

ROLLERS



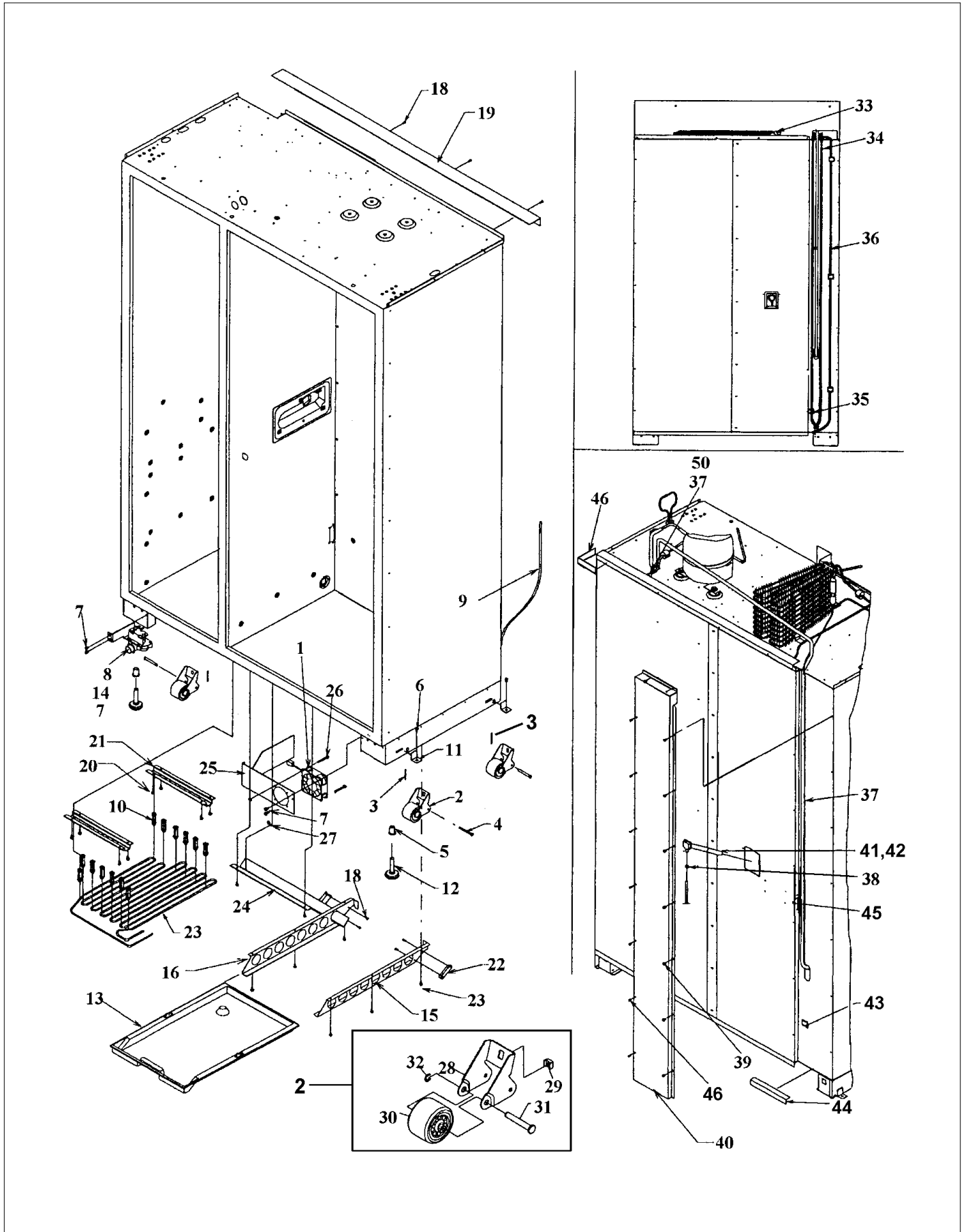


Item	Part No.	Name	Qty	Uom	NOTES
1	004551-000	AXIAL FAN	1	EA	
Comments for Part Num. 004551-000					
gboltz@VikingRange.com on Jul 21, 2016					
View service bulletin TR-0052-SP before ordering fan, if applicable order kit instead of fan					
2	G5096596	ROLLER BRKT ASSY RPLCS G5096490	1	EA	
3	M1200004	PIN-COTTER	1	EA	
4	M1200203	PIN-CLEVIS	1	EA	
5	M0295308	NUT-RIVET VM0295308	1	EA	
6	M0267153	SCREW-MACH VM0267153	1	EA	NO LONGER AVAILABLE, Not available online / Call for pricing and availability
7	M0220417	SCREW-TC	1	EA	
8	G50911821	WATER VALVE KIT	1	EA	
Not Shown	10244906S	WATER VALVE COUPLING	1	EA	
9	PB920209	TUBE-PLASTICá	1	EA	Not available online / Call for pricing and availability
10	12071201	CLIP-DRAIN LOOP	1	EA	
11	K2096427	BRKT-SHIPPING 12071102	1	EA	
12	12150601	FOOT-LEVELING V12150601	1	EA	
13	12071301	PAN, DRAIN	1	EA	
14	M0753001	NUT-SLEEVE	1	EA	
15	K2096459	RAIL-PAN 12234701	1	EA	
16	K2096460	RAIL-PAN 12234702	1	EA	
17	A1055101	SPRING-ANTI KINK	1	EA	NO LONGER AVAILABLE
18	PC040010	POP RIVET (.063/GR -.125) GAMD42-A	1	EA	
19	K2096442	SHIELD-POWER CORD 12180503	1	EA	NO LONGER AVAILABLE, Not available online / Call for pricing and availability
20	M0224416	SCREW-SM	1	EA	





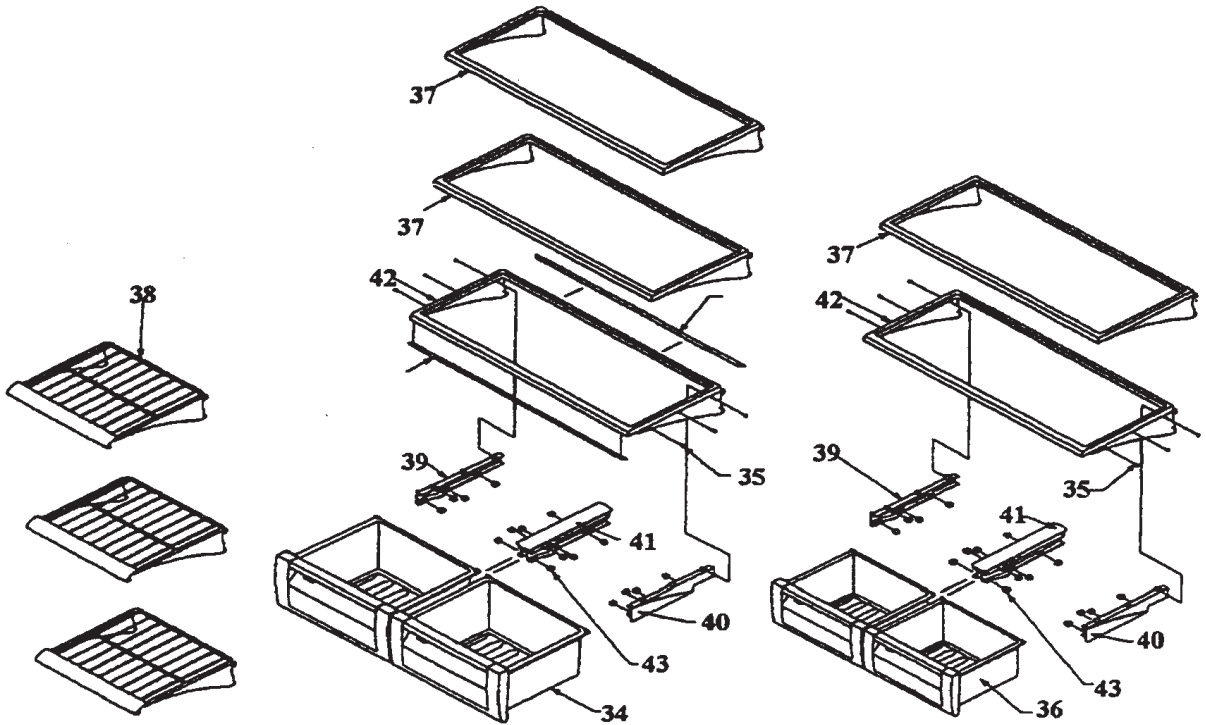
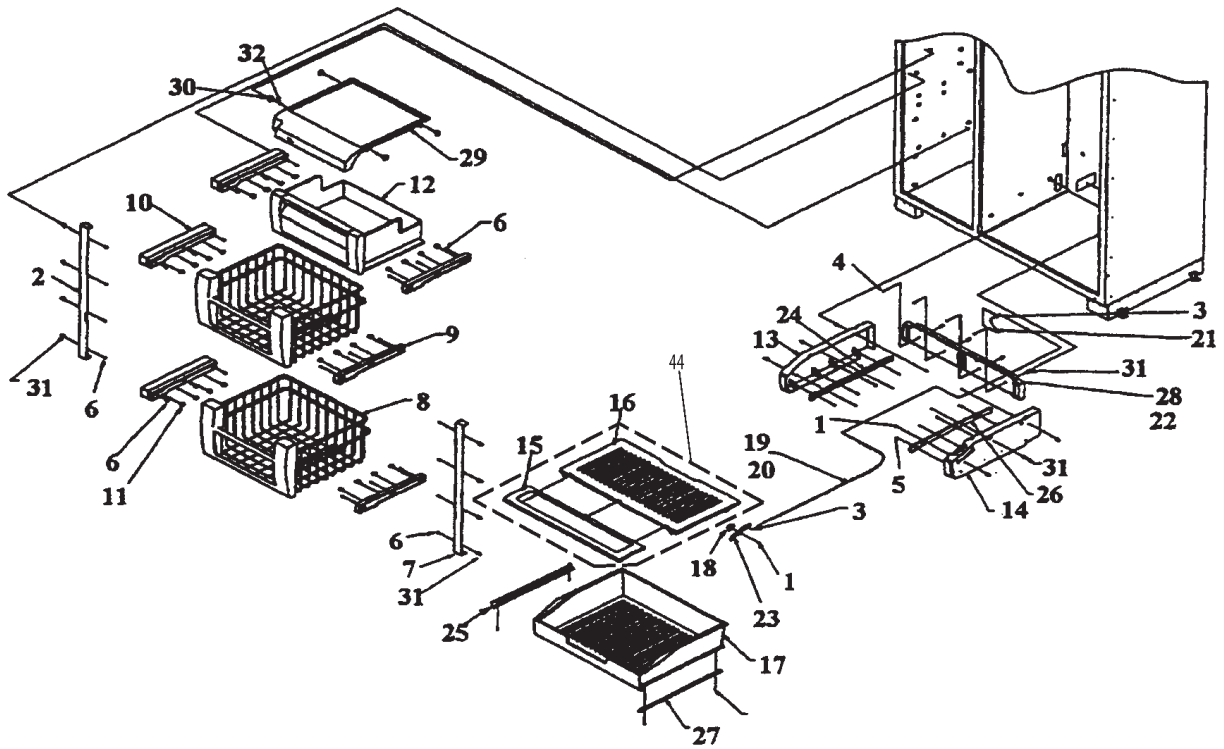
Item	Part No.	Name	Qty	Uom	NOTES
21	K2096455	BRKT-SERP. CLIP 12215001	1	EA	NO LONGER AVAILABLE
22	K2096439	ANGLE-DRAIN PAN 12143801	1	EA	
23	F2096550	SERPENTINE DRAIN SXS	1	EA	
24	L2096474	TROUGH-DRAIN REP V12349801	1	EA	
25	K2096473	BRKT-DC FAN 12349201	1	EA	
26	M0220417	SCREW-TC	1	EA	
27	M0280801	NUT-HEX VM0280801	1	EA	Not available online / Call for pricing and availability
28	K2196420	BRACKET, ROLLER	1	EA	Not available online / Call for pricing and availability
29	M0286708	NUT-SPEED	1	EA	
30	12034201	ROLLER-CABINET	1	EA	
31	M1252901	CLEVIS GROOVED	1	EA	
32	M0273801	RING-RETAINING	1	EA	
33	10916507	CORD-POWER 5 SERIES	1	EA	
34	PB970189	INSULATION TUBING 70.000	1	EA	
35	M0104106	CLIP-CORD VM0104106	1	EA	
36	12527801	HARNESS-FAN MOTOR	1	EA	NO LONGER AVAILABLE, Not available online / Call for pricing and availability
37	M0238616	SCREW, SMALL	1	EA	
38	12115101	CLAMP-TUBE V12115101	1	EA	
39	M0238616	SCREW, SMALL	1	EA	
40	K2096444	COVER-HT EXCHANGE 12187701	1	EA	
41	G5096419	FILL TUBE ASSY	1	EA	
<p>Comments for Part Num. G5096419</p> <p>bradleysapplianceservice@shaw.ca on May 11, 2018</p> <p>This part G5096419 does NOT come with the aluminum tube.</p> <p>If aluminum tube is required, order 005899-000 and cut to size.</p>					
42	015811-000	EXT-FILL TUBE	1	EA	





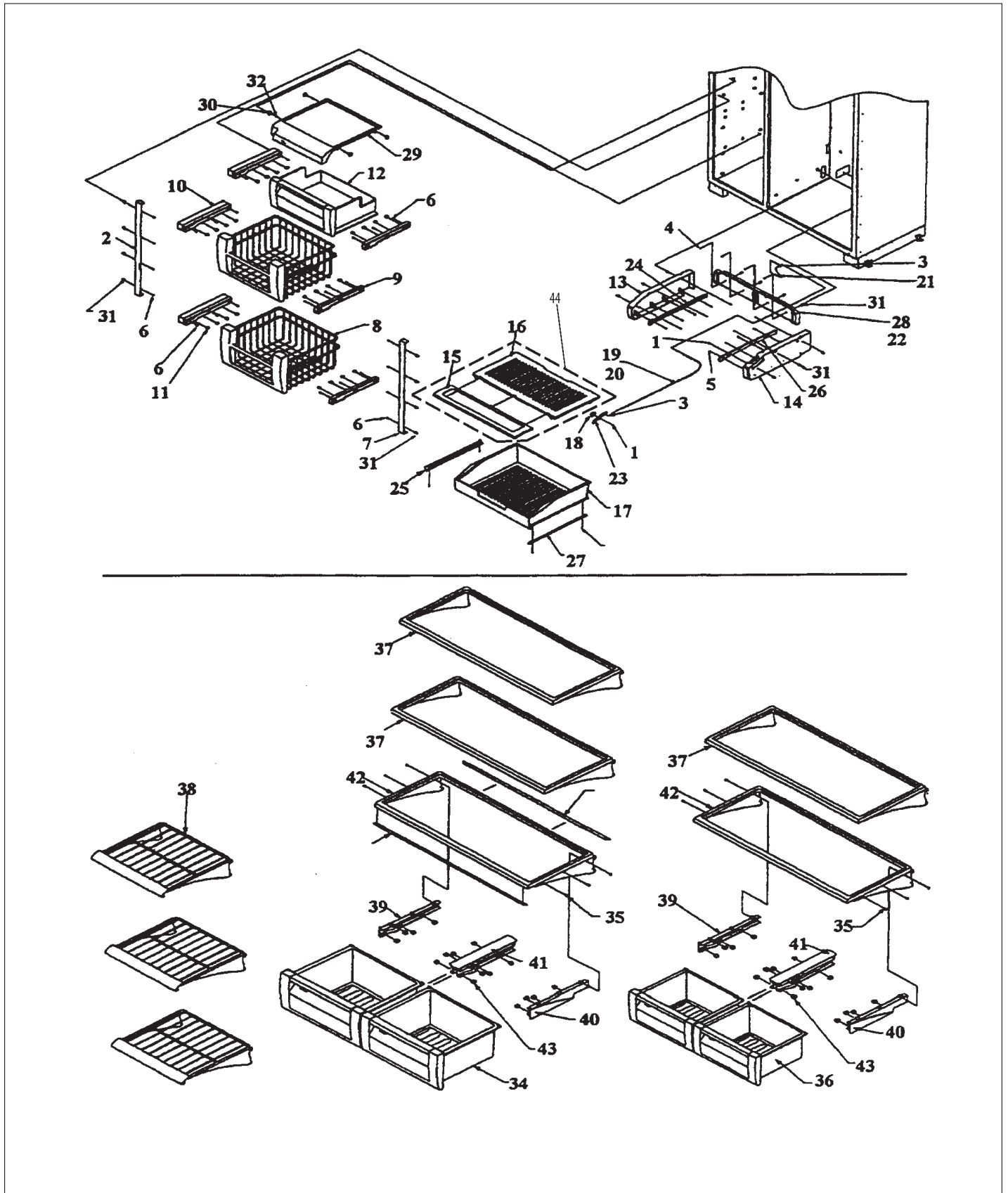
Item	Part No.	Name	Qty	Uom	NOTES
43	M0104106	CLIP-CORD VM0104106	1	EA	
44	A3189370	GASKET-FOAM VA3189370	1	EA	
45	A3189368	GASKET-FOAM VA3189368	1	EA	
46	PC040010	POP RIVET (.063/GR -.125) GAMD42-A	1	EA	

SHELVING





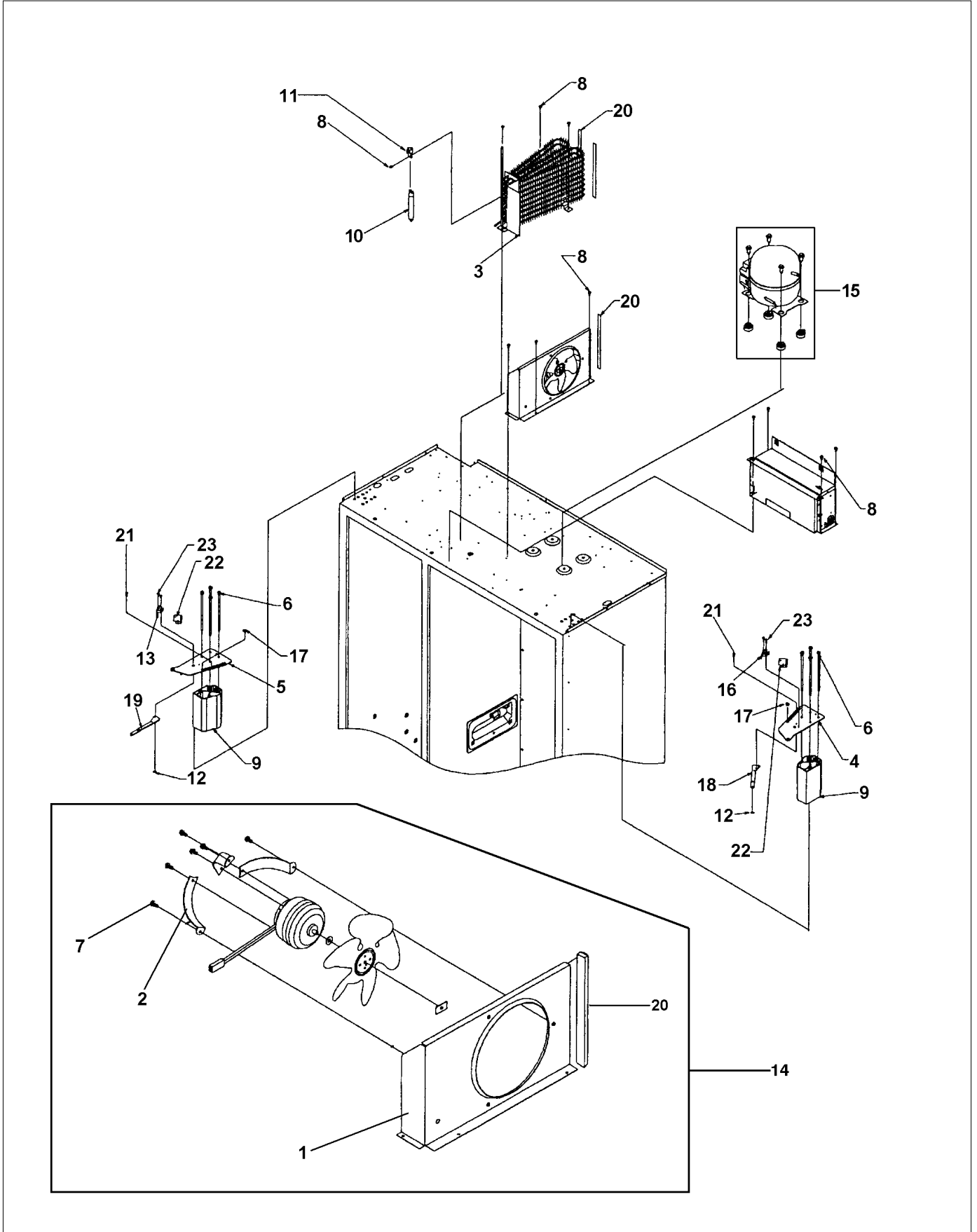
Item	Part No.	Name	Qty	Uom	NOTES
1	M0211018	SCREW-SM	1	EA	
2	PK930073	CLOSEOUT SIDE SXS 48 FZ L	1	EA	
3	M0213105	SCREW-SM	1	EA	
4	M0213531	SCREW-SM	1	EA	NO LONGER AVAILABLE, Not available online / Call for pricing and availability
5	M0213503	SCREW, SM	1	EA	
6	M0238616	SCREW, SMALL	1	EA	
7	V12304301	CLOSEOUT-FZ SIDE #	1	EA	
8	PM910190	BASKET ASM FZ	1	EA	
9	PK930074	GLIDE SXS 48 FZ R	1	EA	
10	PK930075	GLIDE SXS 48 FZ L	1	EA	
11	12064701	PAD-GLIDE V12064701	1	EA	
12	PK930076	ICE PAN ASM SXS 48	1	EA	
13	PK930087	SUPPORT DRAWER SXS 48 L	1	EA	
14	V12073003	SUPPORT-R DRAWER #	1	Wholesale Price	
15	V12223208	DELI LID ASSY 48"/48D	1	Wholesale Price	
Not Shown	NOTE	(MUST ORDER ITEM 44)		EA	
16	12223304	DELI TOP ASSEMBLY	1	EA	
Not Shown	NOTE	(MUST ORDER ITEM 44)		EA	
17	V12073304	DRAWER-DELI 48"/48"Disp	1	Wholesale Price	
18	V12073401	KNOB-DELI CONT	1	Wholesale Price	
19	12073501	TUBE-PLASTIC	1	EA	
20	12073506	TUBE-PLASTIC	1	EA	
21	V12073601	SLIDE-DELI CONT	1	EA	NO LONGER AVAILABLE
22	V12231201	COVER-AIR CONTROL	1	Wholesale Price	
23	V12070501	GLIDE-DELI KNOB #	1	EA	NO LONGER AVAILABLE
24	12073901	GLIDE-L SUPPORT V12073901	1	EA	





Item	Part No.	Name	Qty	Uom	NOTES
25	12073902	GLIDE-L DRAWER V12073902	1	EA	
26	12073903	GLIDE-R SUPPORT V12073903	1	EA	
27	12073904	GLIDE-R DRAWER V12073904	1	EA	
28	12196201	GSKT-CONTROL COVER	1	EA	NO LONGER AVAILABLE
29	PK930079	SHELF COVER SXS 48 FZ	1	EA	
30	12258501	SUPPORT-SHELF	1	EA	
31	M0581001	GROMMET-SCREW VM0581001	1	EA	
32	M0211021	SCREW-SM	1	EA	
33	M0238616	SCREW, SMALL	1	EA	
34	12144302	CRISPER PAN ASSY 48"/48 DISP	1	EA	
35	M0220417	SCREW-TC	1	EA	
36	V12183901	DAIRY DRAWER ASSY 48"/48D	1	Wholesale Price	
37	043624-000	SHELF ASM GLASS 30 AR 48 FF	1	EA	
38	PM910411	SHELF WIRE AF 36	1	EA	
39	12064501	GLIDE-LEFT CRISPER	1	EA	
40	12064502	GLIDE-RIGHT CRISPER	1	EA	
41	V12064601	GLIDE-CTR CRISPER #	1	Wholesale Price	
42	12144003	SHELF, CRISPER	1	EA	Not available online / Call for pricing and availability
43	12064701	PAD-GLIDE V12064701	1	EA	
44	000485-000	DELI TOP ASSEMBLY - 48 SXS	1	EA	

TOP HINGES





Item	Part No.	Name	Qty	Uom	NOTES
1	K2196428	SHROUD, CONDENSER FAN	1	EA	Not available online / Call for pricing and availability
2	10582501	BRKT-COND MTR V10582501	1	EA	
3	PB920171	CONDENSER ASM	1	EA	
4	PC920064	RIGHT TOP HINGE ASSEMBLY	1	EA	NO LONGER AVAILABLE
5	PC920065	TOP HINGE ASSY(VCBB362LSS)	1	EA	NO LONGER AVAILABLE

Comments for Part Num. PC920065

gboltz@VikingRange.com on Aug 16, 2017

SEE ISR-0066A-SP AND ISR-0067A-SP, recall instructions

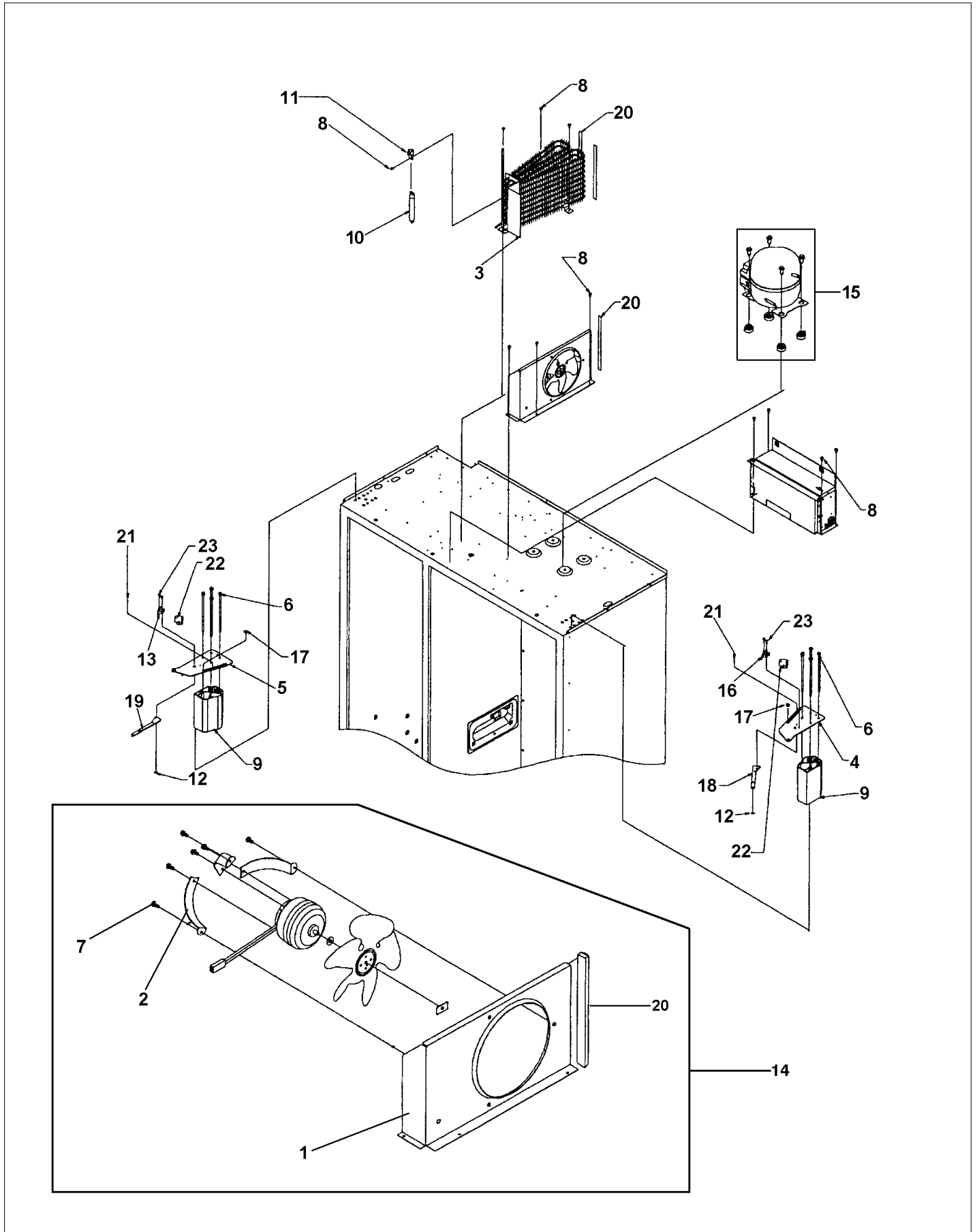
6	M0206313	SCREW-MACH	1	EA	
7	M0223816	SCREW-TR	1	EA	NO LONGER AVAILABLE
8	M0238616	SCREW, SMALL	1	EA	
9	12067901	EXTRSN-TOP HINGE V12067901	1	EA	
10	PM010616	DRIER - HIGH SIDE	1	EA	
11	10547001	CLIP-DRIER V10547001	1	EA	
12	40370P01	NYLON FLAT WASHER V40370P01	1	EA	
13	PE950122	SWITCH	1	EA	
NI	011666-000	INVERTER,CMPR,ASM	1	EA	

Comments for Part Num. 011666-000

gboltz@VikingRange.com on Aug 9, 2018

See 2018-01P Parts Bulletin

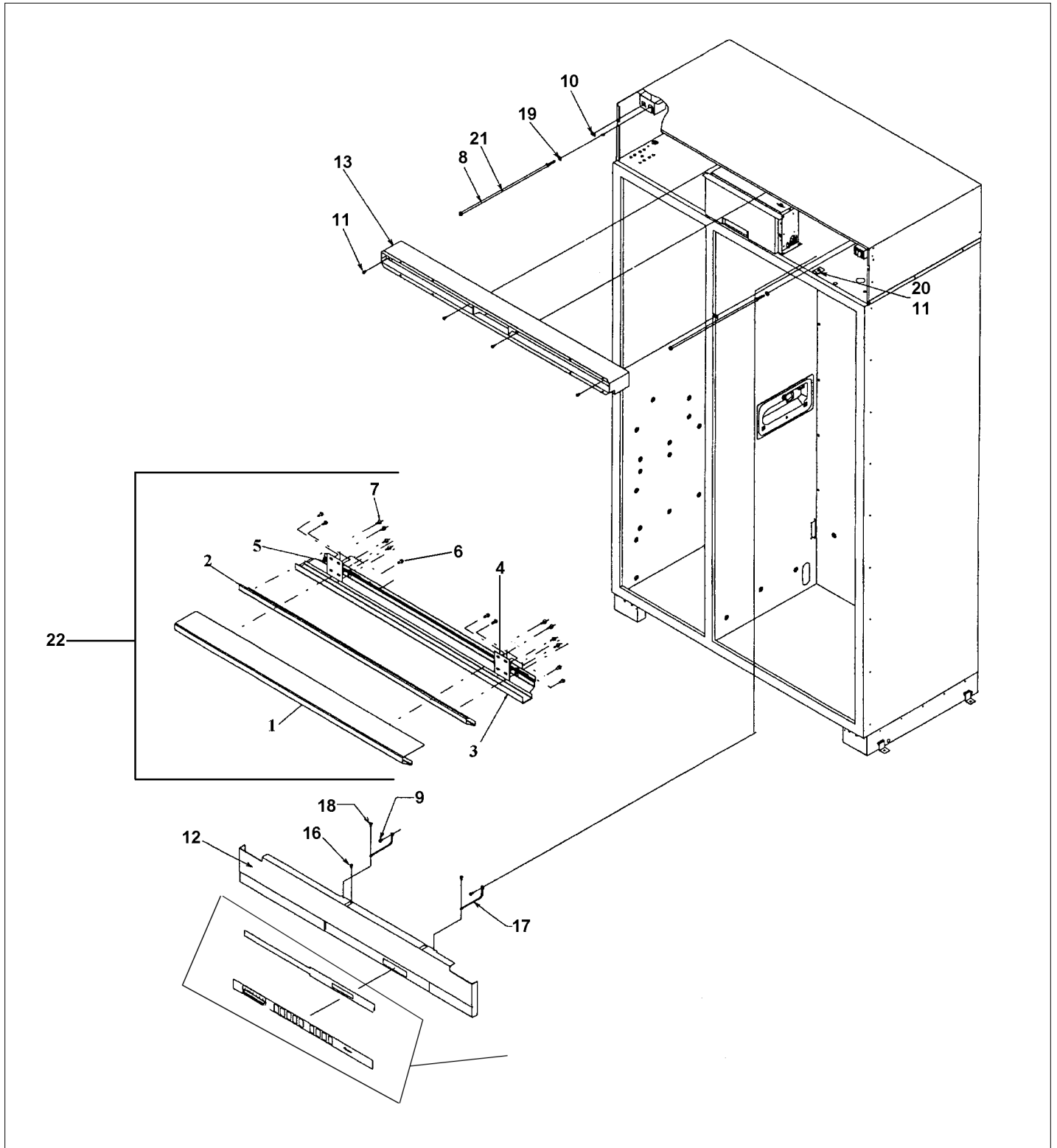
14	G5096494	COND. FAN ASSY	1	EA	
15	G5097976	Compressor Assembly (Includes Drier)	1	EA	
16	PE950121	SWITCH	1	EA	
17	12348701	BUMPER-DOOR STOP V12348701	1	EA	
18	PC920066	ARM, DOOR STOP, RH	1	EA	
19	PC920068	ARM DOOR STOP LH	1	EA	





Item	Part No.	Name	Qty	Uom	NOTES
20	A3189370	GASKET-FOAM VA3189370	1	EA	
21	M0220942	SCREW-SHLDR	1	EA	
22	12140701	COVER-SWITCH V12140701	1	EA	
23	M0234005	SCREW-TF	1	EA	
NI	M0104106	CLIP-CORD VM0104106	1	EA	
NI	M0232903	SCREW-SE	1	EA	NO LONGER AVAILABLE
NI	M0211018	SCREW-SM	1	EA	
NI	M0234030	SCREW-TR	1	EA	NO LONGER AVAILABLE
NI	10522103	MOTOR-PSC V10522103	1	EA	
NI	B5742603	BLADE-FAN	1	EA	

UPPER GRILLE





Item	Part No.	Name	Qty	Uom	NOTES
1	B2096952	LOUVER-TOP 48 PRO		EA	NO LONGER AVAILABLE, Not available online / Call for pricing and availability
2	B2096953	LOUVER-MID 48 PRO		EA	
3	B2096954	LOUVER-BOT 48 PRO		EA	NO LONGER AVAILABLE, Not available online / Call for pricing and availability
4	B2096961	BRACKET-LOUVER		EA	
5	B2096962	BRACKET-LOUVER SUP		EA	
6	M0220417	SCREW-TC		EA	
7	A4539601	DAMPER-TUBING .8		EA	Not available online / Call for pricing and availability
8	M0223603	SCREW-LAG		EA	
9	M0238846	SCREW-SHLDR		EA	
10	M0288120	NUT-SPEED VM0288120		EA	
11	M0238616	SCREW, SMALL		EA	
12	PE940183	COVER CONT PANEL		EA	
13	G9096487BK	AIR DUCT WELD ASSY		EA	
14	PE950172	OVERLAY SWITCH SXS 48 NON - DISP		EA	
16	M0224128	SCREW-SM		EA	
17	12064001	SUPP-CONT PANEL		EA	
18	A4539601	DAMPER-TUBING .8		EA	Not available online / Call for pricing and availability
19	M0270510	WASHER #		EA	
20	12414701	BRKT-CONT COVER		EA	NO LONGER AVAILABLE
21	12349301	BEARING-SLEEVE V12349301		EA	
22	G3296946	GRILLE ASSY - 48 PRO RE G3296498		EA	
#	B2096965	ENDCAP PRO LH HINGE		EA	
#	B2096966	ENDCAP PRO RH HINGE		EA	



Appendix A:Pages Index

CONTROL ASSY 1
DOOR ASSY 2
DOOR SKIN MATRIX 3
DOOR SKINS 4
EVAP AREA ASSY 5
FLOW CHART DEFROST 6
FLOW CHART NO COMPRESSOR 7
LADDERS 8
LOWER HINGES 9
ROLLERS 10
SHELVING 11
TOP HINGES 12
UPPER GRILLE 13



Appendix B:Parts Index

000268-000	4	12073901	11
000485-000	11	12073902	11
002670-000	1	12073903	11
003471-000	8	12073904	11
004528-000	8	12074601	8
004551-000	8, 10	12074701	8
005319-000	1	12074702	8
011666-000	12	12074703	1
014581-000	2	12074704	8
015811-000	10	12102501	8
019244-000	9	12115101	10
036886-000	2	12117201	1
043624-000	11	12118901	8
058966-000	5	12128001	2, 2
10093305	9	12135402	8
10244906S	10	12140701	12
10270101	8	12144003	11
10270203	8	12144302	11
10281601	8	12150601	10
10428101	5	12184401	8
10522103	12	12184501	8
10526701	9	12184901	8
10527401	5	12196201	11
10544502	1	12223304	11
10547001	12	12231701	5
10582501	12	12233801	5
10623003	5	12258501	11
10916507	10	12348701	12
10921223	4	12349301	13
10921224	4	12414701	13
12034201	10	12493705	2
12064001	13	12493706	2
12064501	11	12493707	2
12064502	11	12527801	10
12064701	11, 11	40370P01	12
12067901	12	A1017202	5
12071201	10	A1055101	10
12071301	10	A3030302	5
12073501	11	A3030303	5
12073506	11	A3030361	5
		A3127415	9



VCSB483GSERIES

A3189368	5, 10	K2096450	9
A3189370	5, 10, 12	K2096455	10
A4539601	1, 8, 13, 13	K2096456	5
A4554817	1	K2096457	5
B2096406	8	K2096458	5
B2096952	13	K2096459	10
B2096953	13	K2096460	10
B2096954	13	K2096461	5
B2096961	13	K2096464	9
B2096962	13	K2096473	10
B2096965	13	K2096475	8
B2096966	13	K2097709	1
B5733302	8	K2196412	5
B5742603	12	K2196420	10
C2096406	8	K2196428	12
C2097183	9	L2096474	10
C8983701	5, 8	L2097181	5
F2096550	10	L2097182	5
G3096496	8	L2098309	8
G3296946	13	L2098313	8
G50911821	10	L2196411	5
G50911858	9	M0104106	1, 10, 10, 12
G5096419	10	M0108201	8
G5096494	12	M0202528	2, 2, 9
G5096513	9	M0204303	4
G5096596	10	M0204339	9
G5097700	2, 2	M0206313	12
G5097702	2, 2	M0210458	2
G5097976	12	M0211018	11, 12
G5098660	5	M0211021	11
G5099989	2	M0213105	11
G9096487BK	13	M0213503	11
K1096533	9	M0213531	11
K2096427	10	M0218136	8
K2096429	1	M0218137	8
K2096430	1	M0220417	8, 10, 10, 11, 13
K2096431	1	M0220928	9
K2096439	10	M0220942	12
K2096442	10	M0221913	8
K2096444	10	M0223603	13
K2096449	9	M0223816	1, 12



VCSB483GSERIES

M0224128	13	PC920056	2
M0224416	5, 10	PC920060	9
M0226233	2, 2	PC920061	9
M0232903	5, 5, 8, 12	PC920064	12
M0232929	5	PC920065	12
M0234005	12	PC920066	12
M0234030	12	PC920068	12
M0238535	8	PD020013	1
M0238616	1, 5, 8, 9, 10, 10, 11, 11, 12, 13	PD030006	4
M0238734	9	PE010030	4
M0238846	8, 13	PE010031	4
M0238859	5	PE010068	4
M0267153	10	PE010076	4
M0270510	9, 13	PE030001PVD	4
M0272803	2, 9	PE030044PVD	4
M0273801	10	PE070728	1
M0280801	10	PE930101	4
M0286708	10	PE940183	13
M0288120	1, 8, 13	PE950121	12
M0295308	10	PE950122	12
M0321202	8, 9	PE950125	8
M0580007	8	PE950149	8
M0581001	8, 8, 11	PE950172	13
M0585504	1	PE970464	1
M0585506	1	PE970609	1
M0753001	10	PJ910031	5
M1200004	10	PK900026	9
M1200203	10	PK920023	8
M1252901	10	PK920024	8
M6096628	2, 2	PK930072	2
PB070294	2	PK930073	11
PB070296	2	PK930074	11
PB920155	5	PK930075	11
PB920171	12	PK930076	11
PB920209	10	PK930077	8
PB970189	10	PK930078	8
PC020231	2, 9	PK930079	11
PC040010	10, 10	PK930085	8
PC920050	9	PK930086	8
PC920052	9	PK930087	11
PC920054	2	PK930150	5



PM010616	12
PM910169	5
PM910190	11
PM910206	5
PM910411	11
V12064601	11
V12070501	11
V12073003	11
V12073304	11
V12073401	11
V12073601	11
V12183901	11
V12203602	2
V12223208	11
V12231201	11
V12234001	5
V12304301	11